

AW-UN70 Firmware Update Procedure

Please be sure to read this first.

The update of AW-UN70 camera is performed via a network from Web setting screen on PC.

There might be accidents in the process of updating such as changing the camera settings and others by mistake. Please perform the update after taking every situation into careful consideration.

It is recommended that the current settings should be noted down in advance.

◆[Disclaimer of warranty]

IN NO EVENT SHALL Panasonic Corporation BE LIABLE TO ANY PARTY OR ANY PERSON, EXCEPT FOR REPLACEMENT OR REASONABLE MAINTENANCE OF THE PRODUCT, FOR THE CASES, INCLUDING BUT NOT LIMITED TO BELOW.

- (1) ANY DAMAGE AND LOSS, INCLUDING WITHOUT LIMITATION, DIRECT OR INDIRECT, SPECIAL, CONSEQUENTIAL OR EXEMPLARY, ARISING OUT OF OR RELATING TO THE PRODUCT.
- (2) PERSONAL INJURY OR ANY DAMAGE CAUSED BY INAPPROPRIATE USE OR NEGLIGENT OPERATION OF THE USER.
- (3) UNAUTHORIZED DISASSEMBLE, REPAIR OR MODIFICATION OF THE PRODUCT BY THE USER.
- (4) INCONVENIENCE OR ANY LOSS ARISING WHEN IMAGES ARE NOT DISPLAYED, DUE TO ANY REASON OR CAUSE INCLUDING ANY FAILURE OR PROBLEM OF THE PRODUCT.
- (5) ANY PROBLEM, CONSEQUENTIAL INCONVENIENCE, OR LOSS OR DAMAGE, ARISING OUT OF THE SYSTEM COMBINED BY THE DEVICES OF THIRD PARTY.
- (6) ANY INCONVENIENCE, DAMAGES OR LOSSES RESULTING FROM ACCIDENTS CAUSED BY AN INADEQUATE INSTALLATION METHOD OR ANY FACTORS OTHER THAN A DEFECT IN THE PRODUCT ITSELF.
- (7) LOSS OF REGISTERED DATA CAUSED BY ANY FAILURE.
- (8) ANY DAMAGE OR CLAIMS DUE TO LOSS OR LEAKAGE OF IMAGE DATA OR SETTING DATA SAVED ON THIS UNIT OR ON A MEMORY CARD OR COMPUTER.

◆[Network security]

As connected to a network, your attention is called to the following security risks.

- (1) Leakage or disclosure of information transmitted via this unit
- (2) Unauthorized use of this unit by a third person with malicious intent
- (3) Interference or stoppage of this unit by a third person with malicious intent

It is your responsibility to take sufficient network security measures such as those described below to protect yourself against the above risks.

- + Use this unit in a network secured by a firewall, etc.
- + If this unit is used in a system with a computer connected, make sure that checks for and removal of computer viruses and malicious programs are implemented regularly.
- + Do not install the unit in a location where the unit, cables, and other parts may be easily damaged.

Introduction (Integrated Camera Update Tool)

- This tool is the software for updating firmware of Integrated Cameras (UN70 Series).
- If this software is installed into PC and then the camera that needs updating is connected via network with this PC, the camera can be updated simply by loading the update files.

Preparation For Updating

○ Supported OS

Microsoft Windows7

Microsoft Windows8.1

Microsoft Windows10

Preparing the update file

1. Download the latest software to the hard disk of your PC from "Support" web site.
Click next to "Service and Support" tab. <http://pro-av.panasonic.net/en/>

Software Download

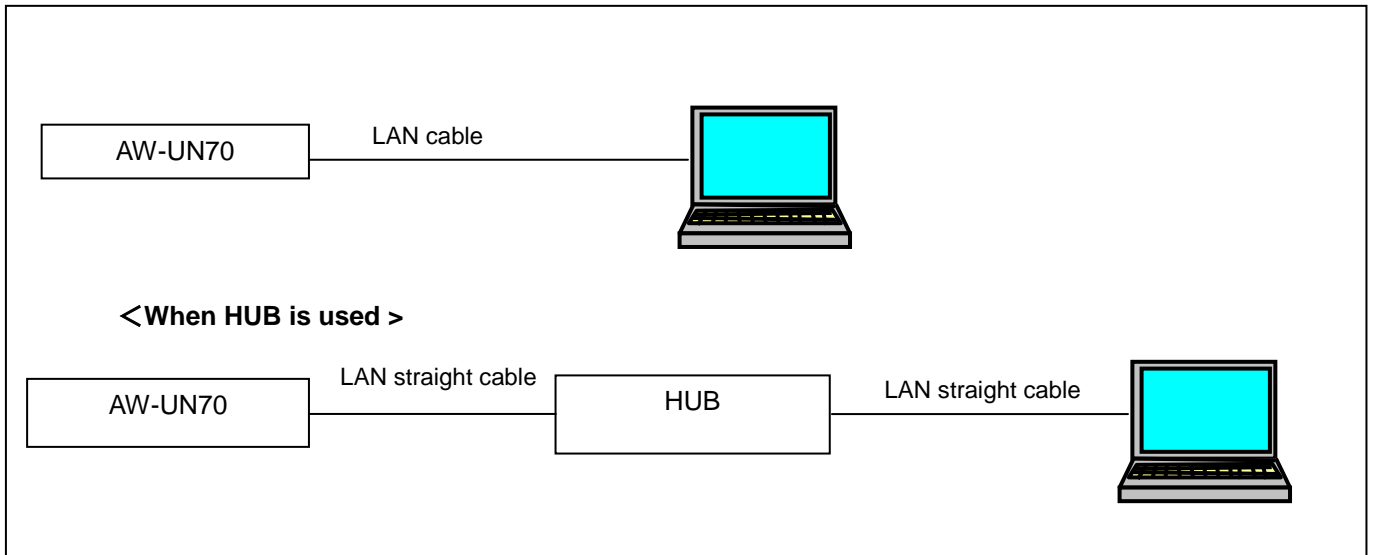
AW-UN70

2. Copy the file "*****.zip" to hard disk of your PC and extract the file.
The folder contains the following three software programs for upgrading.

[Note]

Spaces and double-byte characters cannot be used for save directory.

Please do not change unzipped folder's name and files inside it.

<Connection AW-UN70 to PC >

The LAN straight cable is used when making the connection through a switching hub.

Select an IP address for the personal computer within the private address range while ensuring that it is different from the address of the unit. Set the subnet mask to the same address as the unit.

Example

AW-UN70 192.168.0.10

PC 192.168.0.100

Unit's IP address and subnet mask (factory settings)

IP address : 192.168.0.10

Subnet mask : 255.255.255.0

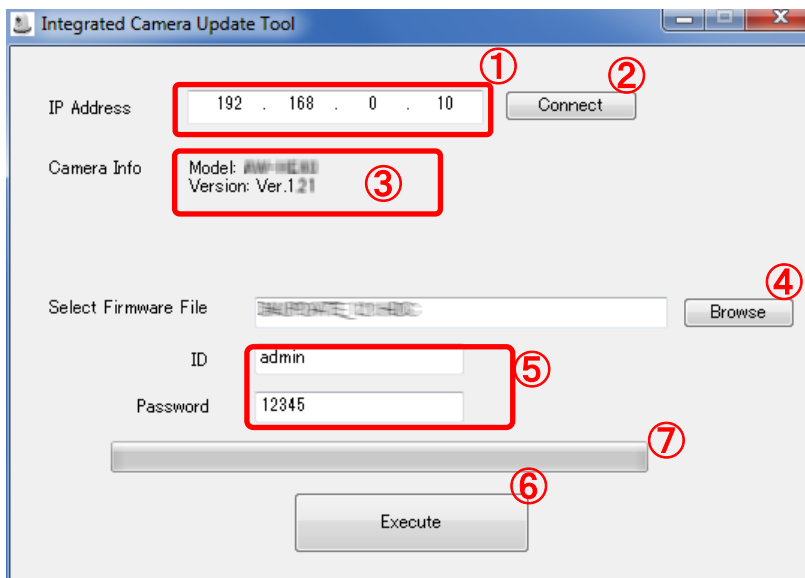
Range of private addresses: 192.168.0.1 to 192.168.0.254

Integrated Camera Update Tool

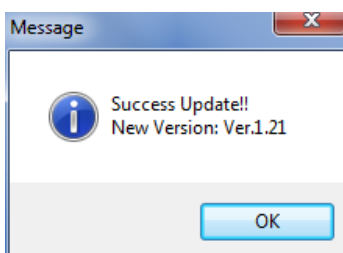
- Before executing, make sure of the remote camera's IP address using Easy IP Setup Software, etc.
- Also, turn on the remote camera. While executing, do not turn off the remote camera.
- Depending on the PC and network environment in use, it may take approximately 5 - 30 minutes.
- When "OK" on the "Success" or "Fail" screen is clicked, the instruction to reboot will be issued to the remote camera.

Update Procedure

1. Starting up Integrated Camera Update Tool
Do not start up other web browsers when this tool is used.
Also, do not open two or more operation screens of this tool at the same time.

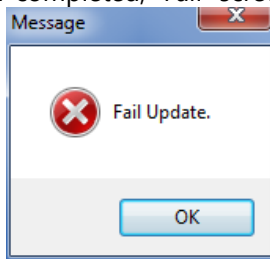


2. Entering IP address and acquiring information of remote camera
Enter the remote camera's IP address in the (1) and click "Connect" (2).
If the communication is correctly done with the remote camera, its model number and current version number will be displayed at the (3).
3. Selecting firmware and entering ID & Password
Click "Browse" (4) to select the firmware file to be updated.
Then enter ID & Password as necessary (5).
4. Execution
When "Execute" (6) is clicked, the firmware will start to be transferred from PC to the remote camera.
And, after this transfer is completed, the remote camera will automatically update its own firmware.
While transferring or updating, the progress bar (7) will work.
5. When the firmware update is completed, "Success" screen will be shown. When you push "OK" button, the remote camera will reboot automatically.



Errors

If it is NOT completed, "Fail" screen will be shown.



When you push "OK" button, the remote camera will reboot automatically.
Execute update again.

Confirm update

[WEB setting menu] Product info. screen (Setup → Maintenance → Product info.)

The version of firmware is also displayed in Firmware Version of camera menu.

[Camera menu] Firmware Version screen (Top Menu → Maintenance → Firmware Version)

