

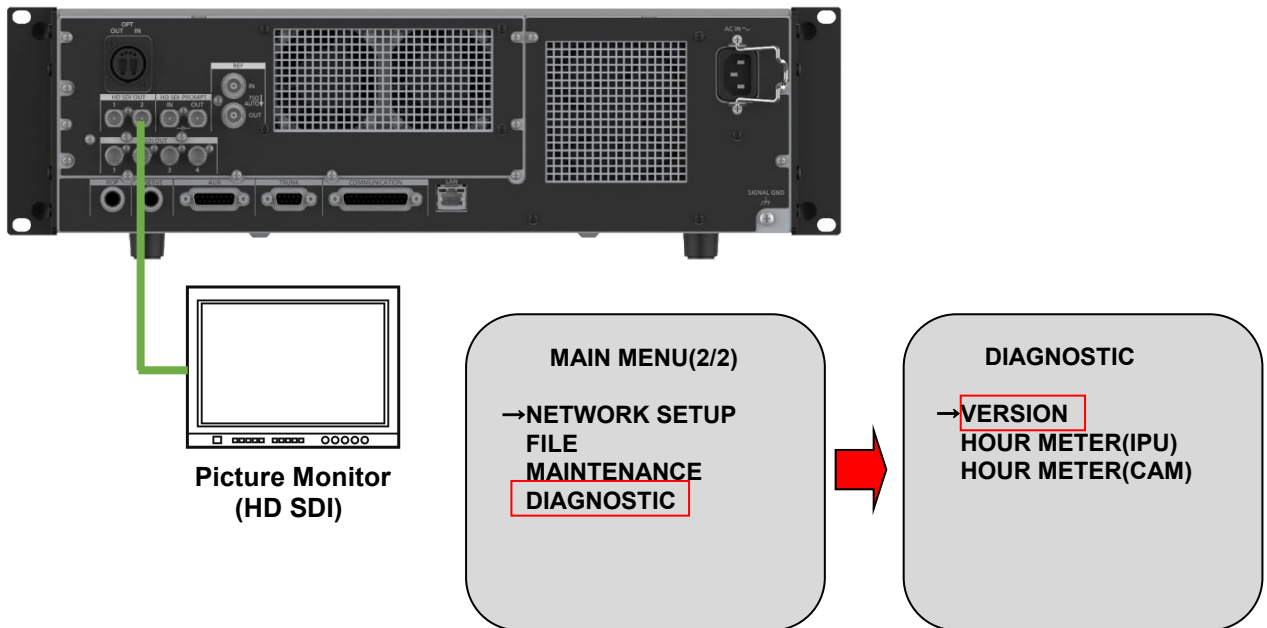
# AK-SHU800/SBU800 Firmware update procedure

## 1. Version display method

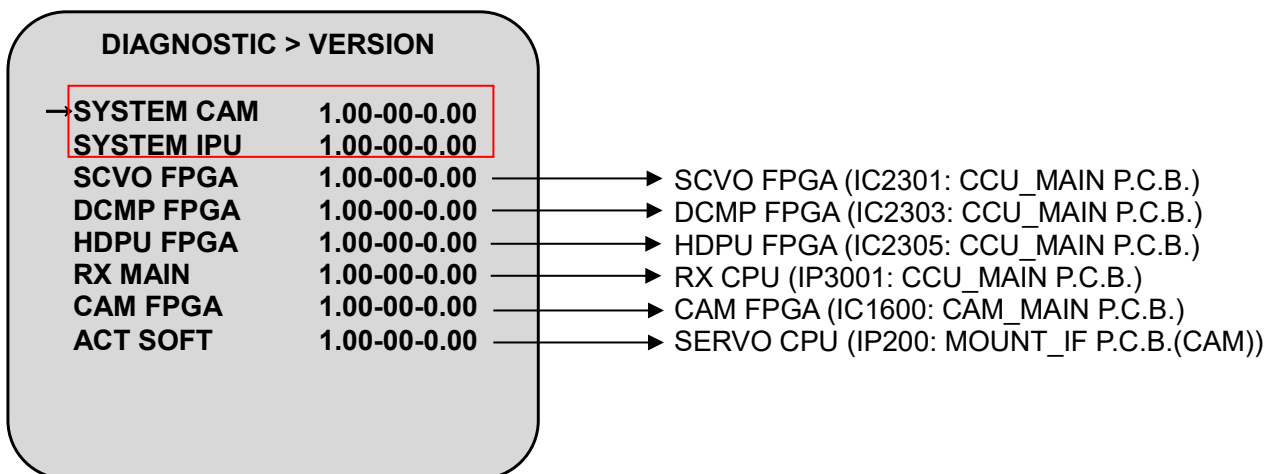
**1-1** It is enabled to check the IPU and camera version from the IPU menu.

Each software version can be confirmed at item “**VERSION**” in DIAGNOSTIC menu.

1. Connect the Monitor TV to HD SDI OUT [ 2 ] connector.
2. Hold down the **MENU** button. The TOP menu screen of IPU menu appears and the **MENU** button lights.
3. Select “**DIAGNOSTIC**” and press the **SELECT dial** button to open the DIAGNOSTIC menu screen.
4. Select “**VERSION**” and pressing the **SELECT dial** button, VERSION screen is displayed.



5. Each software version is displayed on the VERSION screen as follows.



## 1-2. Preparation

### CAUTION: Before Updating Software

- Be sure to connect the camera and the IPU with an optical cable before upgrading.
- Do not power down, do not pull card or disconnect the optical cable while upgrading

If the program quits during loading, the data will be erased or part writing condition and the restart is not made.

#### < Preparation for SD memory card >

1. Buffer memory size in SD memory card more than 64MB (SD: 2GB, SDHC: 4GB to 32GB, SDXC: 64GB).
2. Insert an SD memory card into the card slot of this unit and format it.

**NOTE:** SD memory card used in this unit requires to be conformed to SD standards. Be sure to format SD memory card on this unit.

#### < Copy the update file >

1. Accept the software usage agreement and download the update file data “**DV91000297\*.zip**” for the AK-SHU800/SBU800 firmware from the following support web site.

<http://pro-av.panasonic.net/en/> Service and Support

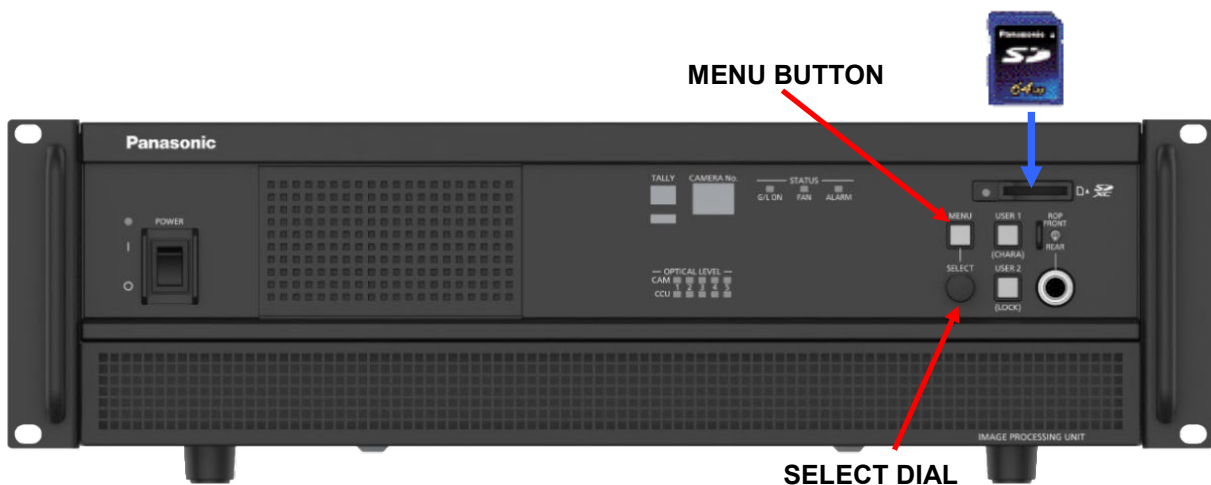
2. Copy the file “**DV91000297\*.zip**” to hard disk of your PC and extract the file.
3. Insert the formatted SD memory card into the PC’s card slot.  
Then copy the extracted update folder “**PRIVATE**” to the root directory (\*1) of the card.

Folder: PRIVATE¥MEIGROUP¥PAVCN¥SBG¥SYSCAM¥FW¥DV\*\*\*.enc

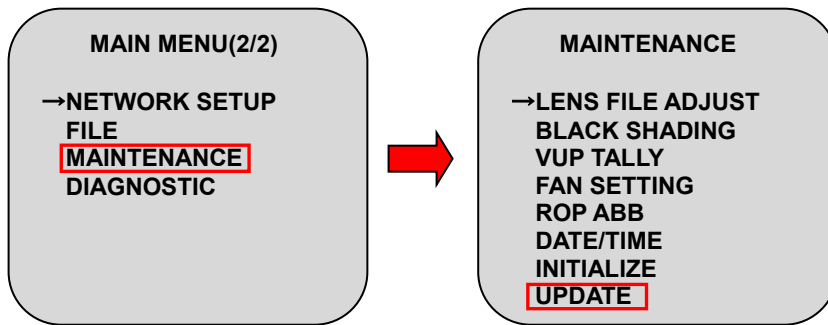
(\*1) : Root directory = top-level directory (i.e., it is not a folder) of the file structure

## 2. Update procedure

1. Connect the monitor TV to of HD SDI OUT [ 2 ] connector.
2. Insert a SD memory card into the SD memory card slot.
3. Hold down the **MENU** button. The TOP menu screen of IPU menu appears and the **MENU** button lights.



4. Select “**MAINTENANCE**” and press the **SELECT dial** button to open the MAINTENANCE menu screen.
5. Select item “**SD CARD**” and press the **SELECT dial** button to open the SD CARD menu screen.



6. Select the item “**UPDATE**” and set “**YES?**”(Character is blink).
7. Pressing the **SELECT dial** button, update program is started and following message is displayed for example.

**VUP \*\*\*\* AREA... (x/Number of items for version upgrade)**  
**\*\*\*\* FPGA**

The above message will change in order, so progress status of updating can be confirmed.  
 The GREEN TALLY blinks while updating.

- ◆ **Software update takes approx. 25 min.**
- Do not power down or disconnect the optical cable while updating.**

8. When the update is completed, the GREEN TALLY lights up and the message “**VUP COMPLETE.**” is displayed.
9. Turn the power OFF/ON automatically and confirm that the version number is renewed for your confirmation update was correctly done.

**NOTE:**

If the version update fails, turn the power to ON again after inserting SD card in which the update file is saved.

< Error message displayed during VUP >

Error Number	Error Contents
ERR 1	No enough memory
ERR 5	File not found
ERR 6	SD card error!
ERR 8	VUP file error
ERR 9	VUP script no found!
ERR 10	Flash erase error!
ERR 11	Flash write error!
ERR 12	Flash verify error!
ERR 13	Write time out error!