

# AK-PLV100 Firmware update procedure

---

## 1. Version display method

### 1-1. The version of system in camera

1. Connect the HD SDI 2 output to the monitor for displaying the Camera menu.
2. Press MENU button. Select the item of menu with Jog Dial button.

Each software version can be confirmed at item "VERSION" in DIAGNOSTIC menu.

MAIN MENU (2/2) > DIAGNOSTIC > VERSION

→DIAG>VERSION	
SYSTEM	06.50-000-21.98
AVIF FPGA	02.01-000-00.00
AVIO FPGA	01.00-000-00.00
CPU FPGA	03.00-000-21.75
CAM MAIN	00.4F-000-00.26
ACT uCOM	01.00-000-00.00

## 1-2. Preparation

### **CAUTION: Before Updating Software**

**Do not power down or pull card while upgrading.** If the program quits during loading, the data will be erased or part writing condition and the restart is not made.

#### **< Preparation for SD memory card >**

1. Buffer memory size in SD memory card more than 64MB (SD: 64MB to 2GB, SDHC: 4GB to 32GB).
2. Be sure to format SD memory card on the camera recorder.

**NOTE:** SD card formatted by PC standard formatter will not work.

#### **< Copy the update file >**

1. Accept the software usage agreement and download the update file data “**DV91000722\*.zip**” for the AK-PLV100 firmware from the following support web site.

<http://pro-av.panasonic.net/en/>    [Service and Support](#)

2. Copy the file “**DV91000722\*.zip**” to hard disk of your PC and extract the file.
3. Insert the formatted SD memory card into the PC’s card slot.

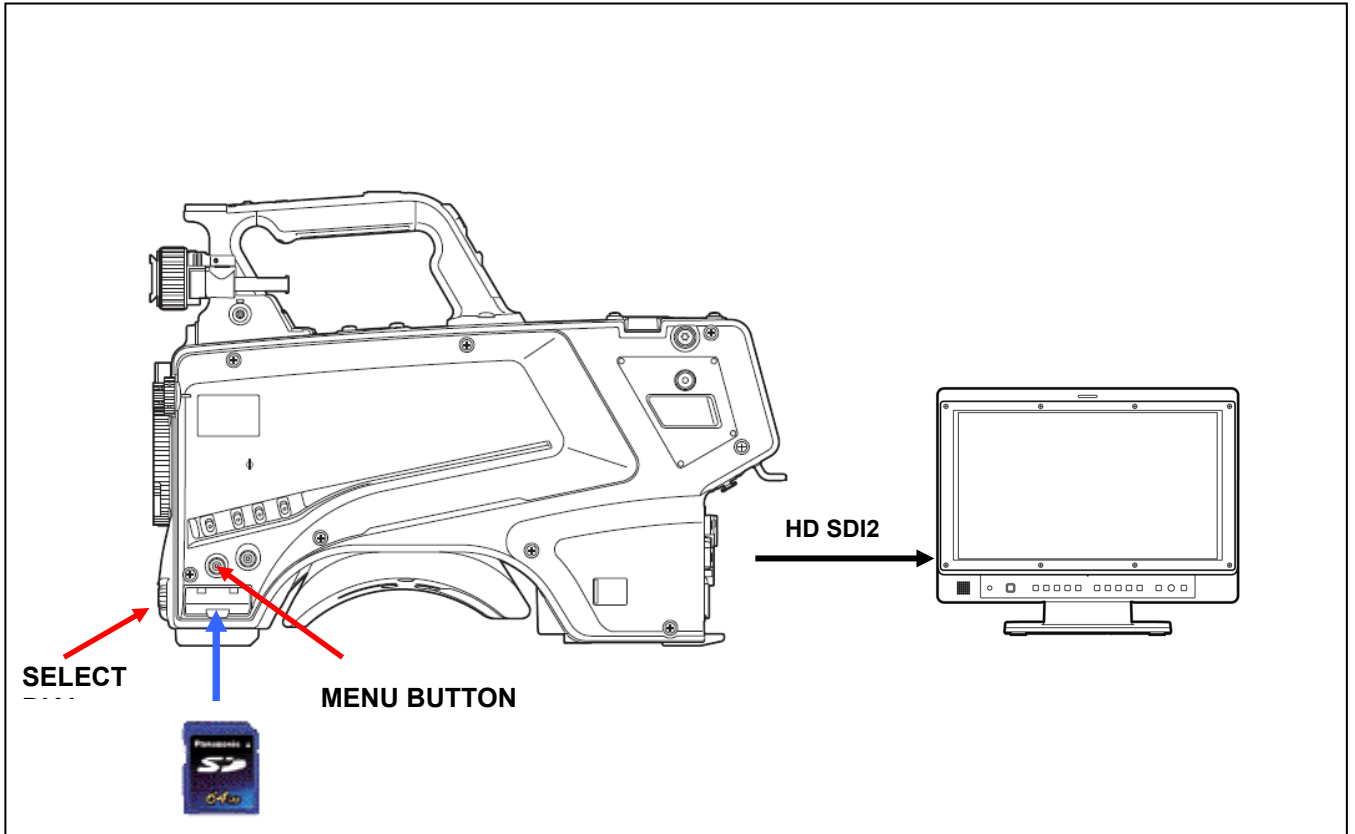
Copy the extracted update folder “**PRIVATE**” and the “**UPDATE.HDC**” file to the root directory (\*1) of the card.

Folder: PRIVATE¥MEIGROUP¥PAVCN¥SBG¥SYSCAM¥FW¥

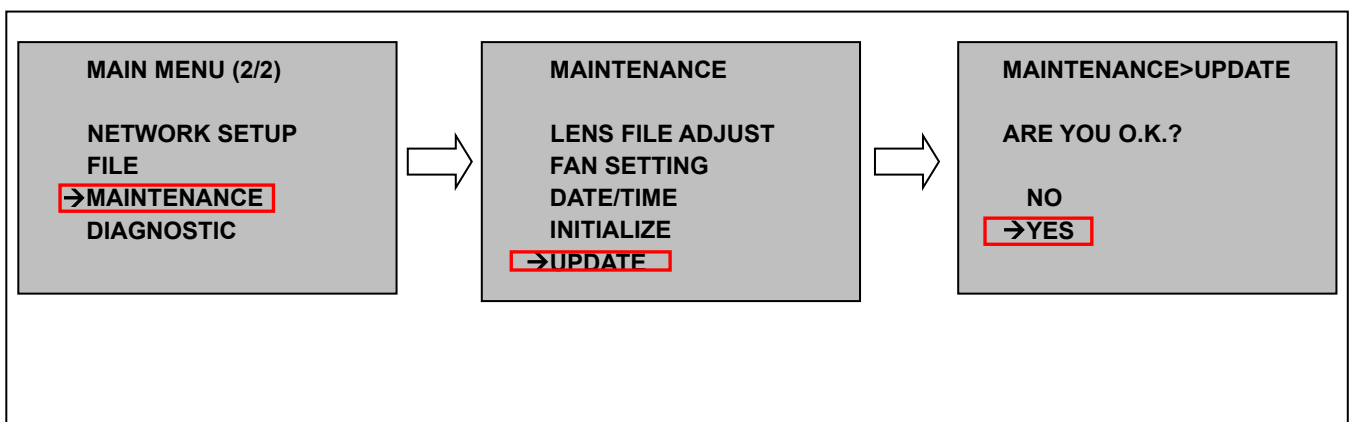
(\*1) : Root directory = top-level directory (i.e., it is not a folder) of the file structure

## 2. Update procedure

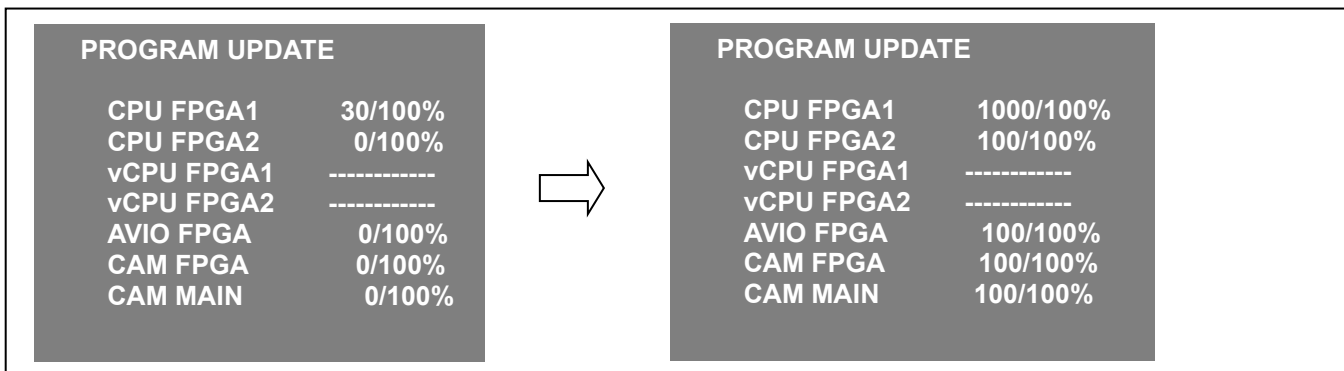
1. Connect the HD SDI 2 output to the monitor for displaying the Camera menu.
2. Insert the SD memory card into the SD memory card slot.
3. Press the MENU button and turn the SELECT dial button to display "MAINTENANCE".



4. Select "MAINTENANCE" and press the SELECT dial button to open the MAINTENANCE menu screen.
5. Select item "UPDATE" and press the SELECT dial button. The update confirmation screen opens.



6. Select “YES”, and pressing the SELECT dial button, update program is started and following message is displayed.



◆ Software update takes approx. 10min. Do not power down while updating.

7. When the update is completed, the message the camera will re-boot automatically.

### 3. Confirm the version number is renewed.

Follow the procedure of “Step1”, confirm the version number is renewed.

If it succeeded to update, the update file in the SD memory card is not need anymore.

If the version update fails, turn the power to ON again after inserting SD card in which the update file is saved.