

# AJ-HPX2700 series Software (Firmware) update procedure

---

## 1. Version Information

### 1-1. Use "P2 Status Logger"

Please use "P2 Status Logger" application software for making sure the software update is done correctly.

**To use "P2 Status Logger", please connect the unit to a PC with the USB 2.0 cable.**

The PC is needed to be connected to the internet while running "P2 Status Logger".

Please refer to the operating instruction manual for "P2 Status Logger" for the detail information.

You need to be a member of "P2 Asset Support System" to download the "P2 Status Logger" software.

If you haven't been a member of "P2 Asset Support System" yet, please go to the URL below and make a registration.

<P2 Asset Support System> [http://panasonic.biz/sav/pass\\_e](http://panasonic.biz/sav/pass_e)

### 1-2. Confirm the version number

Each software version can be confirmed at item "**DIAGNOSTIC 1**" and "**DIAGNOSTIC 2**" in MAIN menu.

1. Hold down the **MENU** button for 3 second or more to open the MAIN menu.
2. Select the "**MAINTENANCE**" and press the **JOG DIAL** button to open this page.
3. Select "**DIAGNOSTIC 1**" and press the **JOG DIAL** button to open this page.

< DIAGNOSTIC 1 >	
CAMSOFT MAIN	1.01-00-0.00
CAM TABLE	1.00-00-0.00
PULSE FPGA	1.01-00-0.00
UCIF FPGA	1.00-00-0.00
FM FPGA	1.03-00-0.00
CHAR FPGA	1.03-00-0.00
DC FPGA	1.02-00-0.00

4. Select "**DIAGNOSTIC 2**" and press the **JOG DIAL** button to open this page.

< DIAGNOSTIC 2 >	
SYSICON SOFT	1.02-00-0.00
LCD SOFT	1.01-00-0.00
P2CS OS	1.00-00-0.00
<b>P2CS AP</b>	<b>1.00-00-0.00</b>
SH4CTRL FPGA	2.02-00-0.00
PRCCTRL FPGA	1.01-00-0.00
SYSIF FPGA	2.00-00-0.00
AVC-I SOFT	1.13-00-0.00
AVC-I FPGA	1.07-00-0.00

## 2. Preparation

### CAUTION: Before Updating Software

- **Do not power down or pull card while upgrading.** If the program quits during loading, the data will be erased or part writing condition and the restart is not made.

#### < Preparation for SD memory card >

1. SD memory card (more than 64MB memory card) is required.
2. Insert an SD memory card into the P2 equipment and format it.

**NOTE:** SD memory card used in the P2 equipment requires to be conformed to SD™ standards. Be sure to format SD memory card with P2 equipment.

#### < Copy of Image data for update >

1. Download the file “VSI\*\*\*\*\*.zip” from the support desk.  
<https://eww.pavc.panasonic.co.jp/pro-av/>
2. Copy the file “VSI\*\*\*\*\*.zip” to hard disk of your PC and extract the file.
3. Insert a formatted SD memory card into the card slot of PC. Copy the folder “PRIVATE” to SD memory card. The downloaded image data (upgrade file: VSI\*\*\*\*\*.img) is included in folder “PRIVATE”.

**NOTE:** Do not change the construction of folder and file name. The folder construction shown in the following and top of directory should be “PRIVATE”.

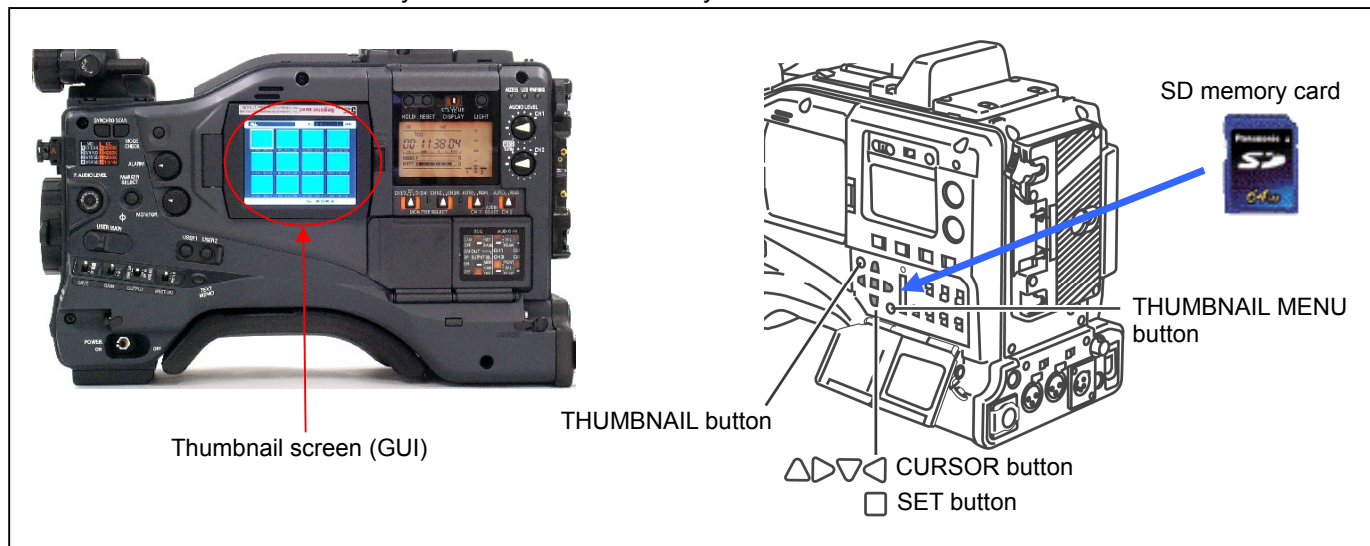
Folder: PRIVATE \ MEIGROUP \ PAVCN \ SBG \ P2SD \ FW \  
File Name: VSI\*\*\*\*\*.img

#### < External Power >

It is best to power the unit from the external power supply. This will prevent the unit from shutting off during updating.

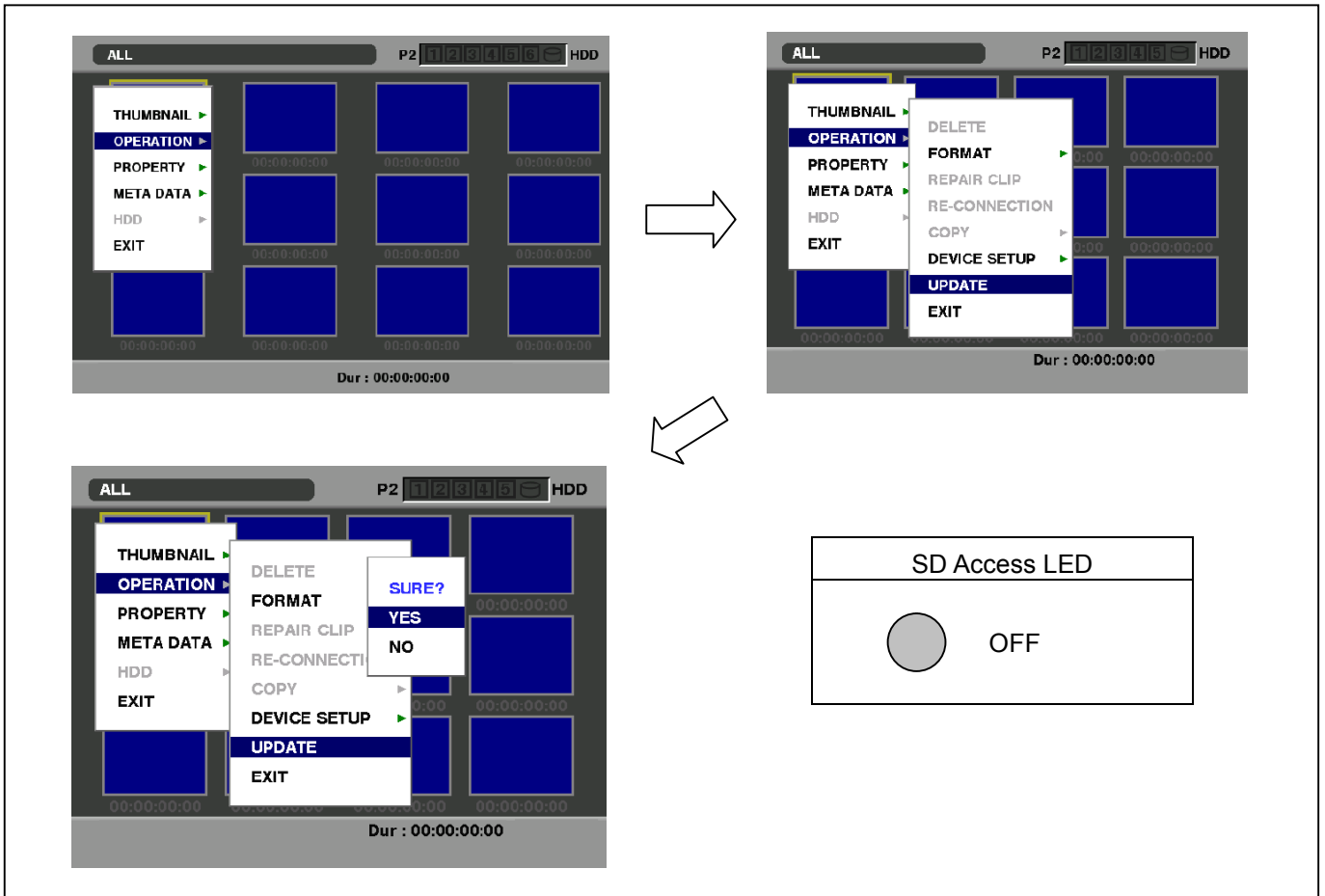
## 3. Updated procedure

1. Turn on power this unit.
2. Press the **THUMBNAIL** button to display the thumbnail screen.
3. Insert a formatted SD memory card into the SD memory card insertion slot of this unit.

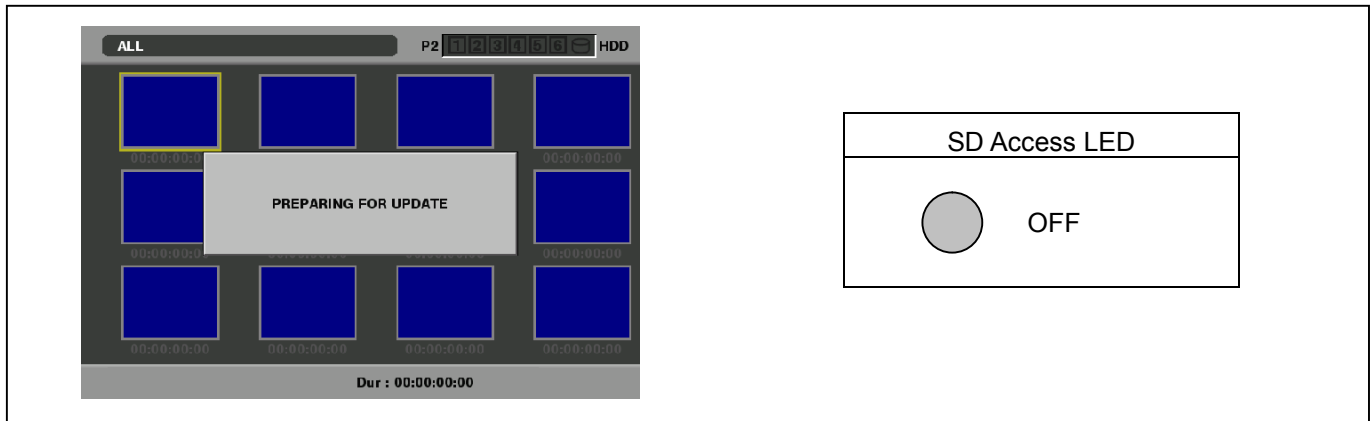


4. Press the **THUMBNAIL MENU** button to display the menu. Use the **CURSOR** buttons to select the item “OPERATION” and press **SET** button to open the OPERATION menu.

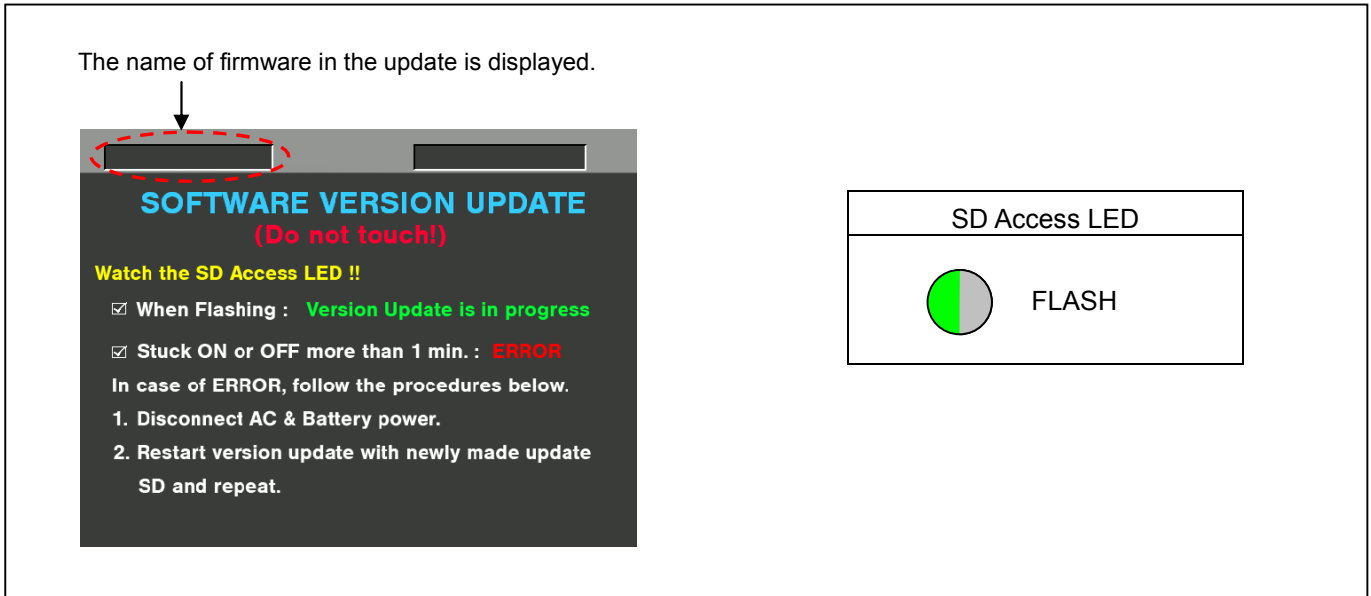
5. Select the item **“UPDATE”** on the menu and press the **SET button** (If the update SD memory card does not insert into the unit, item **“UPDATE”** does not appeared.). The confirmation menu of the execution is displayed. If upgrade is executed, select the item **“YES”** and press **SET button**. In this time, **BUSY lamp (SD Access LED)** is turned off.



6. Update program is started and the message “**PREPARING FOR UPDATE**” appears on screen. In this timing, it is doing preparation such as the confirmation of the data of the updating. In this time, **BUSY lamp (SD Access LED)** is turned off.

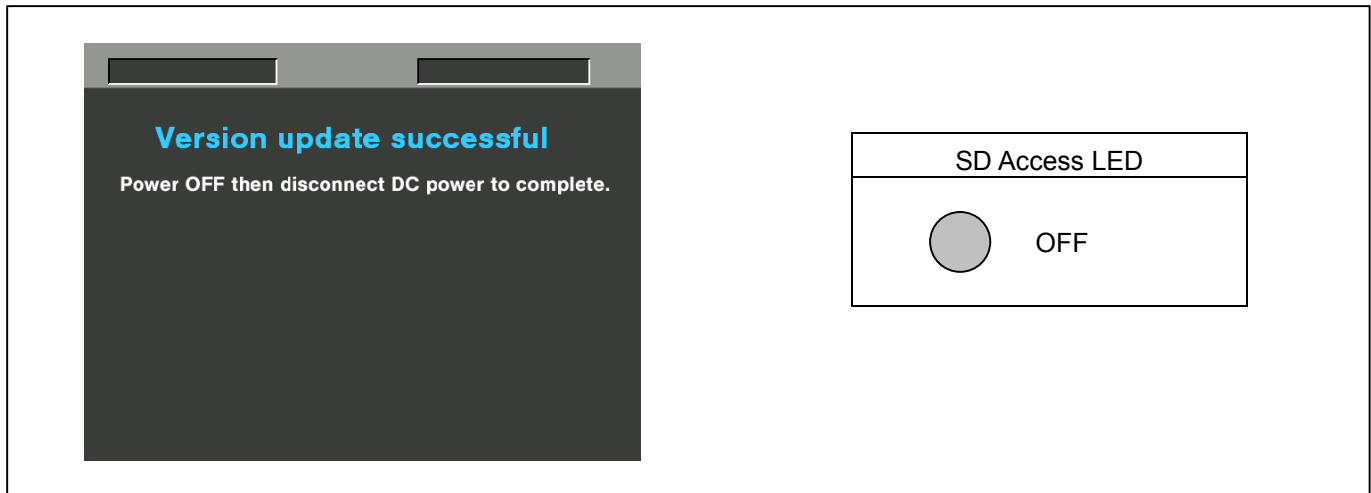


7. When shifting to the update process of the flash and microcomputer, following screen is displayed. While updating software, **BUSY lamp (SD Access LED)** is flashed.

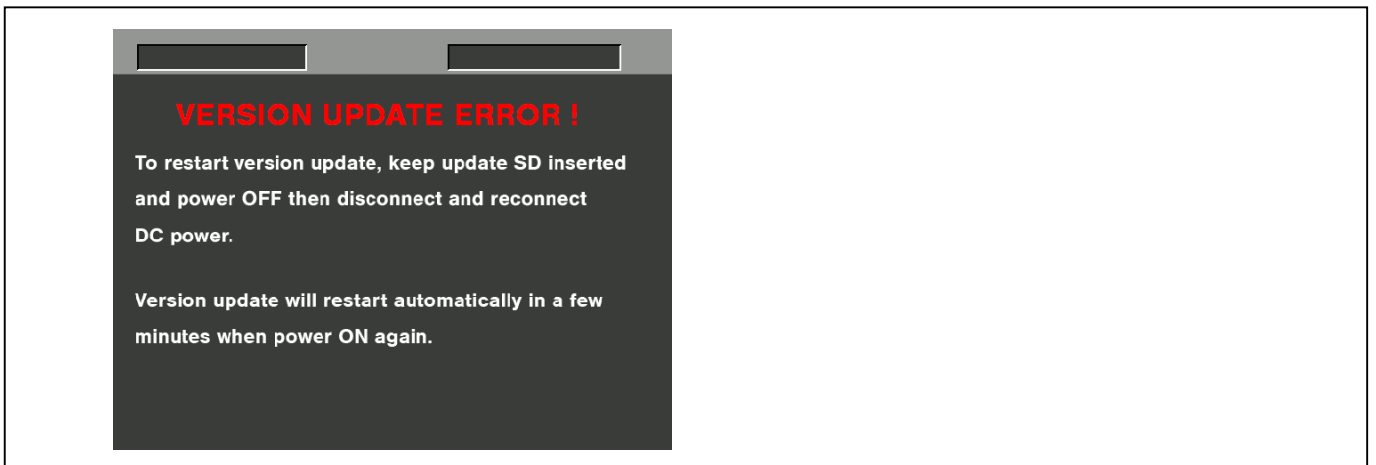


◆ Software update takes approx. 10 ~ 30 min.

8. In updating succeed, following screen is displayed. In this time, **BUSY lamp (SD Access LED)** is turned off.



**NOTE:** If the upgrade is not successful, an error message will appear as follows.



- ◆ If the power supply is shut down on the way to update or above error operation happens, turn the power OFF/ON then restart the write function start again in a few minutes.
  - 9. Remove the SD memory card and turn the power supply of AC Adaptor OFF. Then power OFF the camera recorder and power ON the power supply and camera recorder.
- NOTE:**
- Power OFF/ON by the power SW of camera recorder does not work just after updating the software. Please shut OFF the power supply.
  - The power OFF and ON of camera recorder is required for updating data renewal.

#### 4. Confirm update

Please check the firmware version according to the item "1.Version information". After you finish the update and power ON the unit, please use "P2 Status Logger" application software for making sure the software update is done correctly.

If it is difficult to access the internet or to make the registration, please check the firmware version on the MENU. But it is strongly recommended to use "P2 Status Logger" for checking the update result to avoid a mistake.