

AJ-HPX2000/AJ-HPX2100 Driver Software (Firmware) update procedure

1. Version Information

1-1 How to check the version of the camera recorder.

Each software version can be confirmed at item “**DIAGNOSTIC 1**” and “**DIAGNOSTIC 2**” in MAIN menu.

1. Hold down the **MENU** button for 3 second or more to open the MAIN menu.
2. Select the “**MAINTENANCE**” and press the **JOG DIAL** button to open this page.
3. Select “**DIAGNOSTIC 1**” and press the **JOG DIAL** button to open this page.

< DIAGNOSTIC 1 >	
CAMSOFT MAIN	1.01-00-0.00
CAM TABLE	3.00-00-0.00
PULSE FPGA	1.05-00-0.00
UCIF FPGA	1.01-00-0.00
FM FPGA	1.00-00-0.00
CHAR FPGA	1.00-00-0.00
DC FPGA	1.03-00-0.00

4. Select “**DIAGNOSTIC 2**” and press the **JOG DIAL** button to open this page.

< DIAGNOSTIC 2 >	
SYSCON SOFT	1.01-00-0.00
LCD SOFT	3.00-00-0.00
P2CS OS	3.00-00-0.00
P2CS AP	3.00-00-0.00
SH4CTRL FPGA	1.05-00-0.00
PRCCTRL FPGA	1.01-00-0.00
SYSIF FPGA	1.00-00-0.00
SDI IN FPGA	1.00-00-0.00

NOTE: “SDI IN FPGA” is displayed, when SDI IN board (AJ-YA350G) is installed.

1-2. Operation for the menu structure change with the update

The setting value of CHROMA GAIN and CHROMA OUTPUT are not been taken over because the menu structure has been changed with this update.

So if the version of the items is as below, you need to do below 3 steps when you update the software.

CAMSOFT MAIN	Ver.1.06-00-0.00 or lower
CAM TABLE	Ver.3.00-00-0.00 or lower

Step1: Write down the setting value of the below item in <OPTION> Menu if each value is different from the value below.

TOTAL CHROMA GAIN : +00%
CHROMA OUTPUT : ON

If the setting is as same as above, Step1 and Step3 are not needed.

Step2: Update the software firmware following the chapter 2 and 3

Step3: After finishing update, change the setting for the menu item below.

MAIN MENU
—PAINT
—KNEE/LEVEL
CHROMA LEVEL :

2. Update with the SD Card

2-1. Summary

1. Copy the update file of the Driver Software (Firmware) to an SD card.
2. Software can be updated using this SD card. (It is not supported SDHC or MMC Card)

CAUTION: Before Update Software

- **Do not power down or pull card while upgrading.** If the program quits during loading, the data will be erased or part writing condition and the restart is not made.

2-2. Preparation

< Preparation for SD Card >

1. SD Card (more than 64MB memory card) is required. (SDHC Card is not supported.)
2. Insert an SD card into the P2 equipment and format SD card.

Updating P2 equipment *1) : Use an SD card formatted on P2 equipment

Updating microP2 equipment *2) : Use an SD card formatted on microP2 equipment.

*1) P2 equipment refers to the equipment which hasn't been performed the update for microP2.

*2) microP2 equipment refers to the equipment which has already been performed the update for microP2.

NOTE:

When you update an AJ-HPX2000/2100 with firmware not compatible with microP2, please use an SD card formatted on this AJ-HPX2000/2100 or P2 equipment which is not compatible with microP2.

The SD card formatted on microP2 equipment can not be used for the update for non-microP2 equipment.

NOTE: SD Card needs to be formatted by P2 equipment. SD card formatted by PC standard formatter will not work.

< Copy of Image data for upgrade >

Copy the update file of Driver Software to the SD card as follows.

1. Download the Driver Software file "VSI*****.zip" from the support desk.
<http://pro-av.panasonic.net/en/>
2. Copy the file "VSI*****.zip" to the hard disk of your PC and extract the file.
3. Insert a formatted SD card into the card slot of PC.
4. Copy **the whole folder "PRIVATE"** in the extracted folder to the SD card.

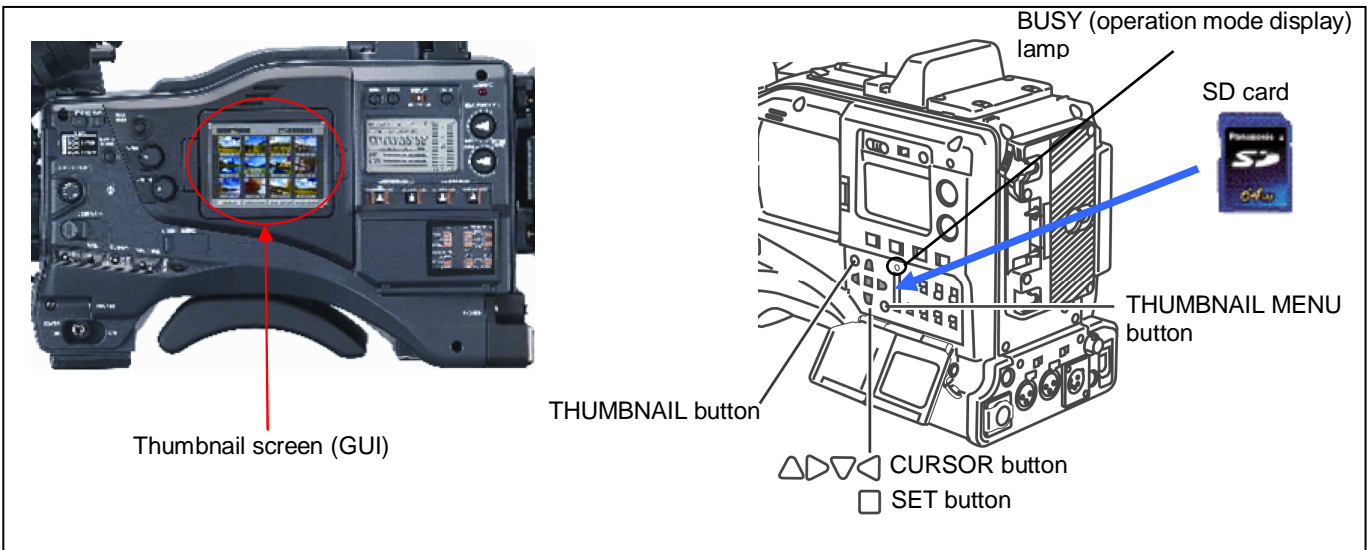
NOTE: Do not change the construction of folder and the file name.

NOTE: External Power

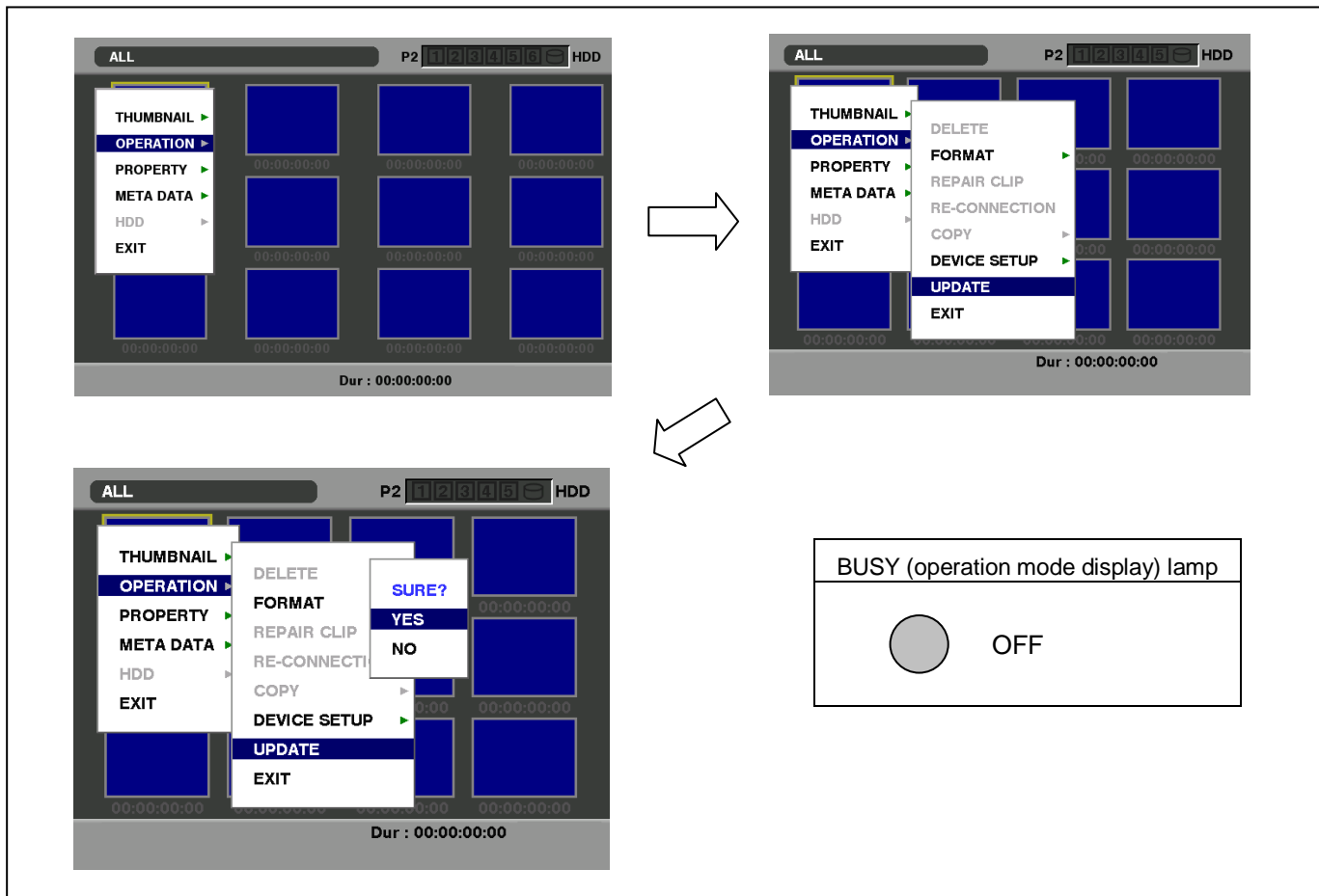
It is best to power the unit from the external power supply. This will prevent the unit from shutting off during updating.

2-3. Updated procedure

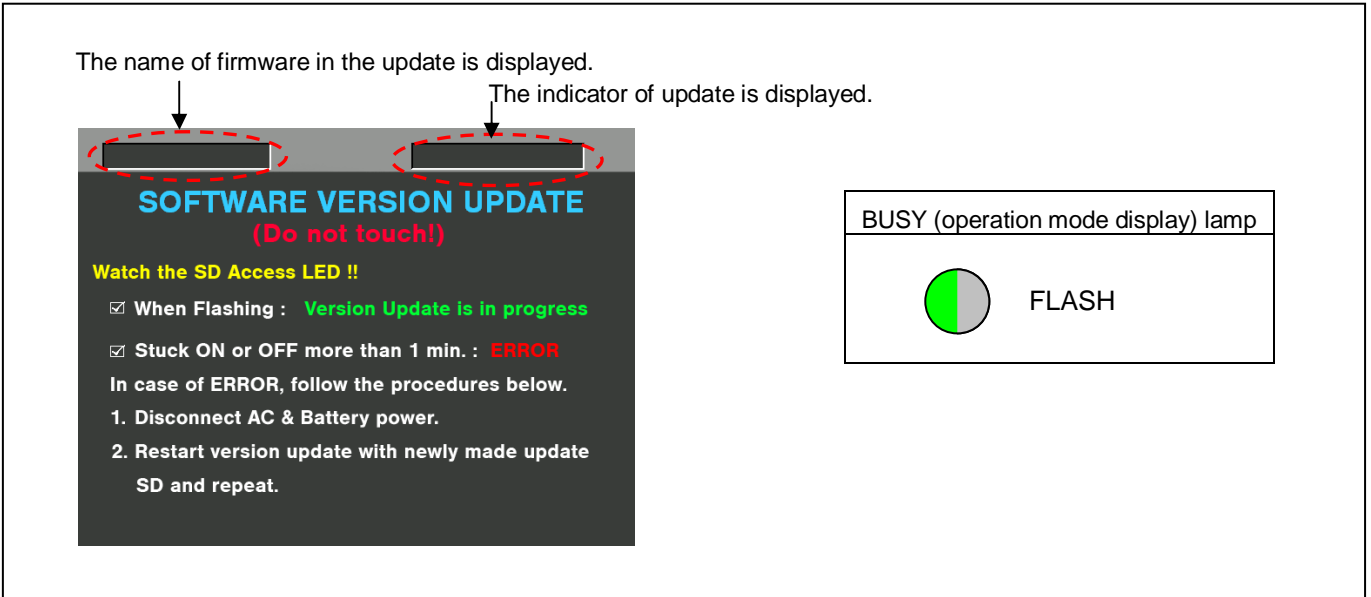
1. Turn on power this unit.
2. Press the **THUMBNAIL button** to display the thumbnail screen.
3. Insert a formatted SD card into the SD card insertion slot of this unit.



4. Press the **THUMBNAIL MENU button** to display the menu. Use the **CURSOR buttons** to select the item **“OPERATION”** and press **SET button** to open the OPERATION menu.
5. Select the item **“UPDATE”** on the menu and press the **SET button** (If the update SD card does not insert into the unit, item **“UPDATE”** does not appeared.). The confirmation menu of the execution is displayed. If upgrade is executed, select the item **“YES”** and press **SET button**. In this time, is turned off.

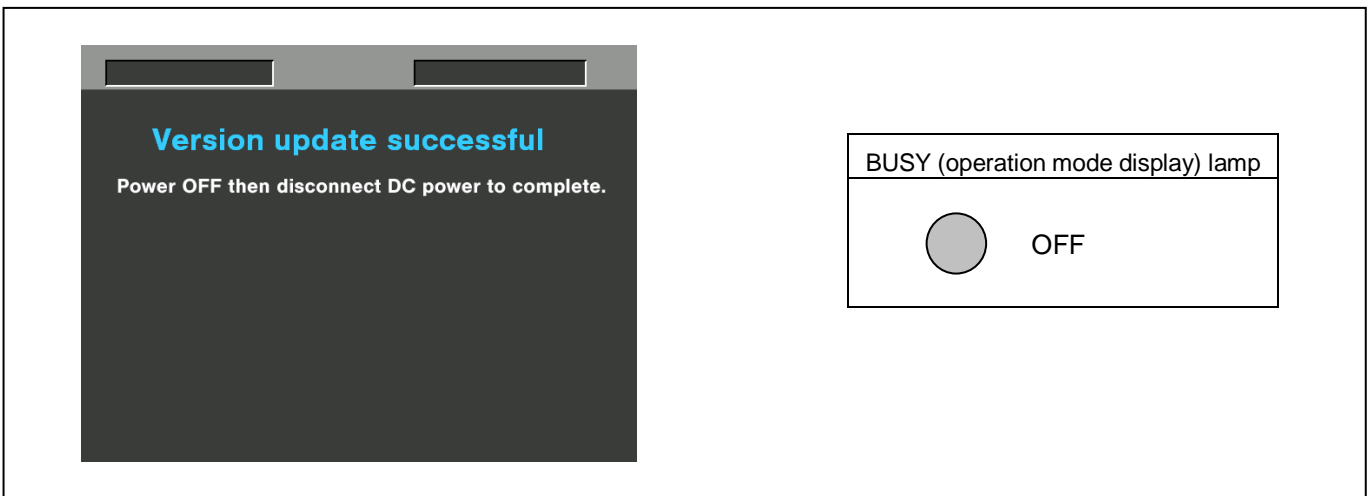


6. Update program is started and the message “**PREPARING FOR UPDATE**” appears on screen. In this timing, it is doing preparation such as the confirmation of the data of the updating. In this time, BUSY (operation mode display) lamp is turned off.
7. When shifting to the update process of the flash and microcomputer, following screen is displayed. While updating software, **BUSY (operation mode display) lamp** is flashed.

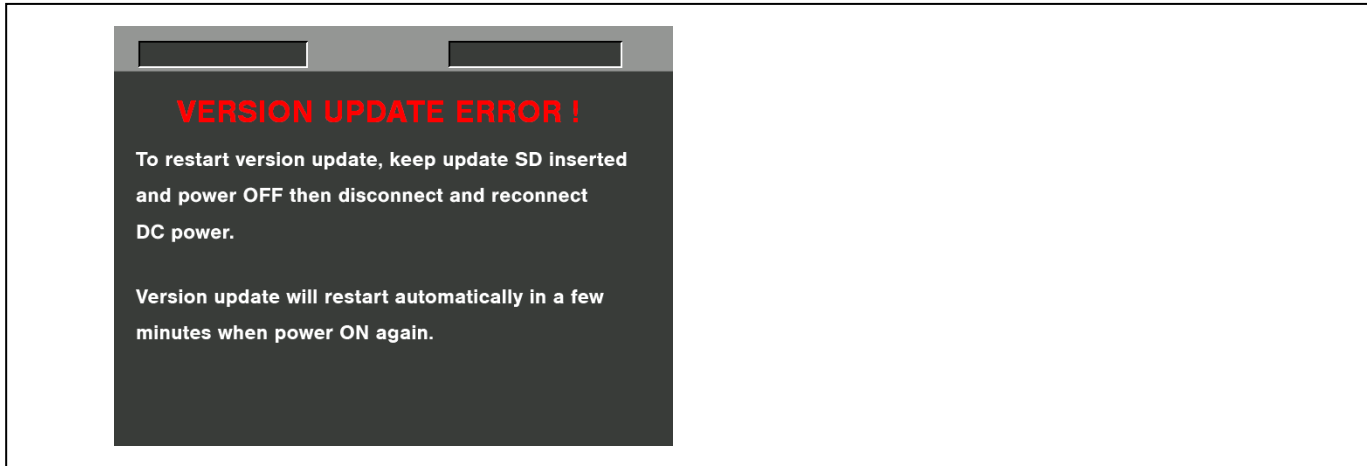


◆ Software update takes approx. 40 ~ 50 min.

8. In updating succeed, following screen is displayed. In this time, **BUSY (operation mode display) lamp** is turned off.



NOTE: If the upgrade is not successful, an error message will appear as follows.



◆ If the power supply is shut down on the way to update or above error operation happens, turn the power OFF/ON then restart the write function start again in a few minutes.

9. Remove the SD Card and turn the power supply of AC Adaptor OFF. Then power OFF the camera recorder and power ON the power supply and camera recorder.

NOTE:

- Power OFF/ON by the power SW of camera recorder does not work just after updating the software. Please shut OFF the power supply.
- The power OFF and ON of camera recorder is required for updating data renewal.

3. Confirm update

Please check the firmware version on the MENU according to the item "1.Version information".

You can use "P2 Status Logger" application software for making sure the software update is done correctly.

To use "P2 Status Logger", please connect the unit to a PC with the USB 2.0 cable.

The PC is needed to be connected to the internet while running "P2 Status Logger".

Please refer to the operating instruction manual for "P2 Status Logger" for the detail information.

<P2 Status Logger > https://eww.pass.panasonic.co.jp/pro-av/support/cs/ap_dl/index_e.htm

You need to be a member of "P2 Asset Support System" to download the "P2 Status Logger" software.

If you haven't been a member of "P2 Asset Support System" yet, please go to the URL below and make a registration.

<P2 Asset Support System> http://panasonic.biz/sav/pass_e