

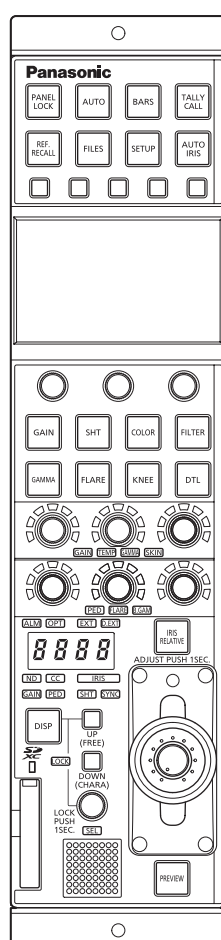
Operating Guide

Remote Operation Panel

Model No.

AK-HRP1015G

Read this document when using the AK-HRP1015G Remote Operation Panel in conjunction with AW-HR140 or AW-HE130 Series HD Integrated Cameras.



For details of operating Remote Operation Panel AK-HRP1015G, please visit the Panasonic website (<https://pro-av.panasonic.net/manual/en/index.html>), and refer to the Operating Instructions (HTML or PDF).

Panasonic

ENGLISH

DVQP2526ZA

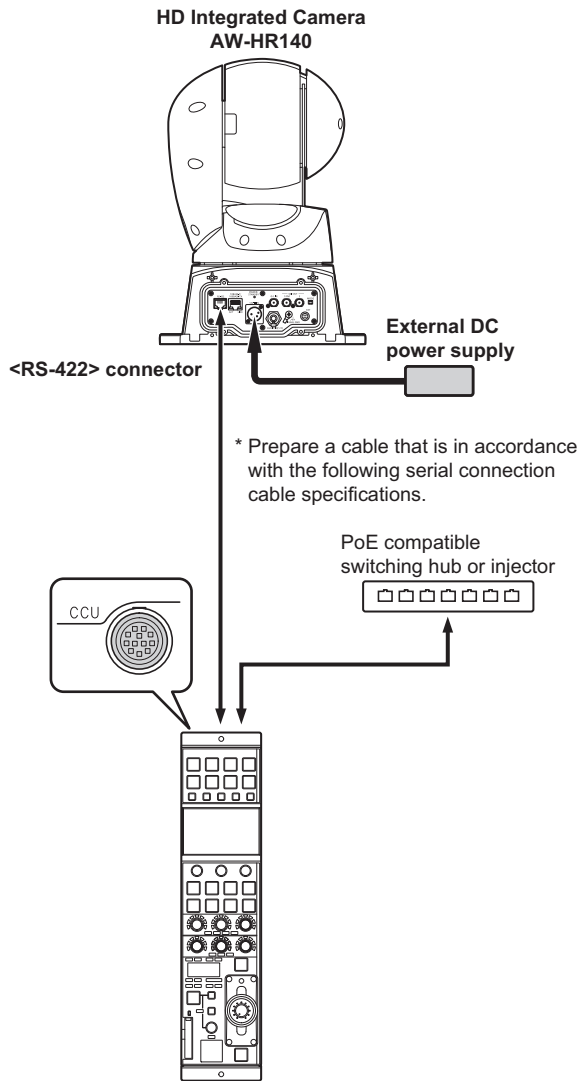
Table of Contents

Connecting the Unit to AW-HR140/AW-HE130 Series Cameras	3
Connection examples	3
Connections	5
Compatible Functions List	6
ROP Menu (when AW-HR140/AW-HE130 is connected)	9
ROP menu list	9
01 SCENE	14
02 SHUTTER SPEED	15
03 FILTER	16
04 PEDESTAL	17
05 CHROMA	18
06 GAIN	19
07 WHITE BALANCE	20
08 GAMMA	21
09 KNEE	22
10 WHITE CLIP	23
11 DETAIL	24
12 MATRIX	25
13 COLOR CORRECTION	26
14 DNR	29
15 DIGITAL HAZE CLEAR	30
16 HOUSING	31
17 BRIGHTNESS	32
18 LENS CONTROL	33
19 IRIS RELATIVE	34
20 SYSTEM CAM	35
21 CAMERA MENU CONTROL	36
22 ROP SETTING	37
23 CONNECT SETTING	38
24 ROP IP SETTING	39
25 CAMERA IP SETTING	39
26 SWITCHER LINK	39
27 AW CONTROLLER LINK	39

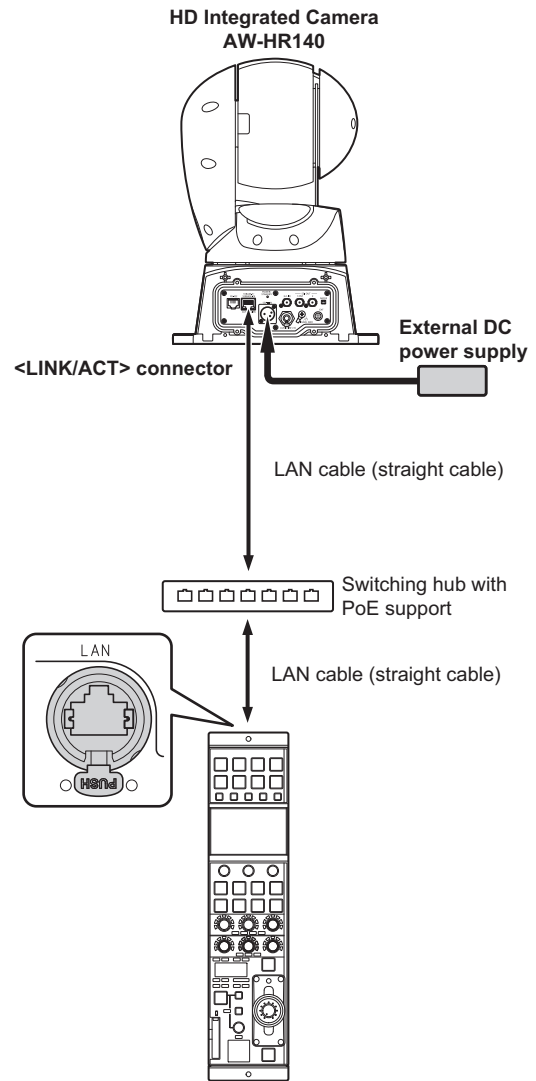
Connecting the Unit to AW-HR140/AW-HE130 Series Cameras

Connection examples

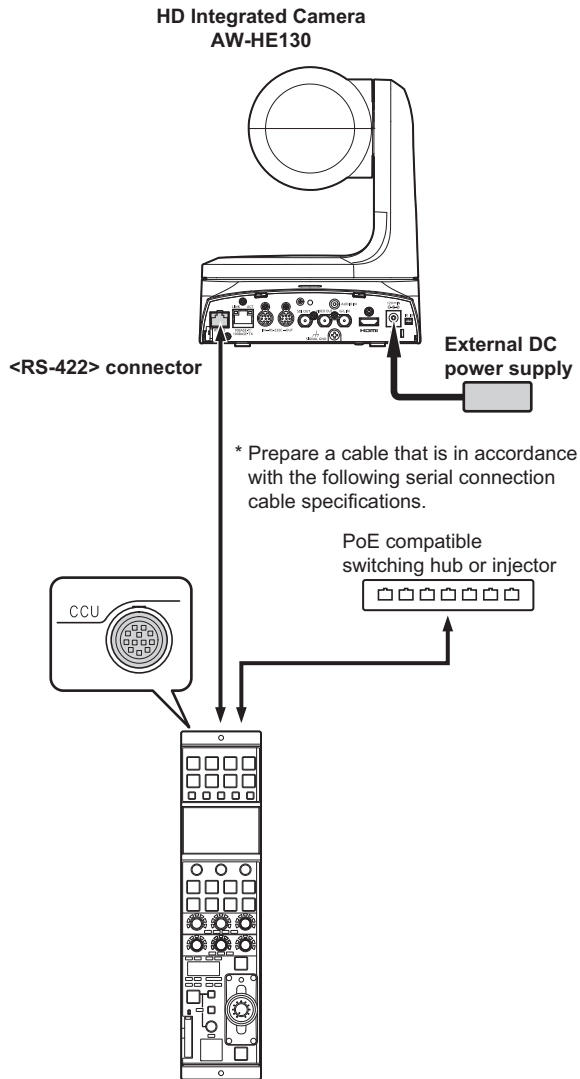
Serial connection with AW-HR140



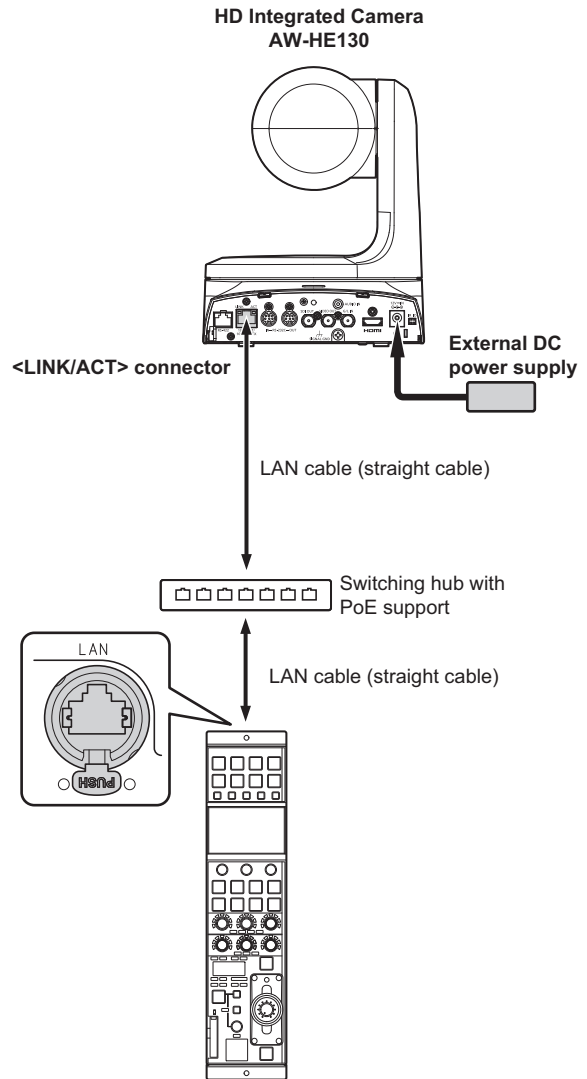
IP connection with AW-HR140



Serial connection with AW-HE130



IP connection with AW-HE130



Serial connection cable specifications

AW-HR140/AW-HE130
<RS-422> connector side (RJ45)

1	GRD
2	TALLY
3	RXD-
4	TXD-
5	TXD+
6	RXD+
7	—
8	—

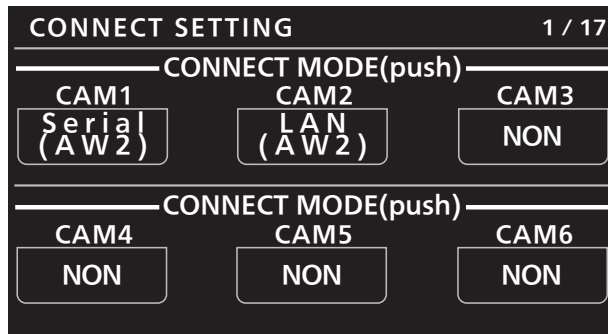
AK-HRP1015G
[CCU] connector side

Pin No.	Function	Polarity	Flow of signal
1	CAM DATE(H)	+	CAM → ROP
2	COM DATE(L)	—	CAM → ROP
3	COM CONT(H)	+	ROP → CAM
4	COM CONT(L)	—	ROP → CAM
5	COM No. A		
6	COM No. B		
7	COM No. C		
8	COM No. D		
9	12 V		
10	GND		

Hirose: HR10A-10P-105(73)

Connections

- Set the connection setting to [Serial(AW2)] or [LAN(AW2)] in the [CONNECT SETTING] menu.

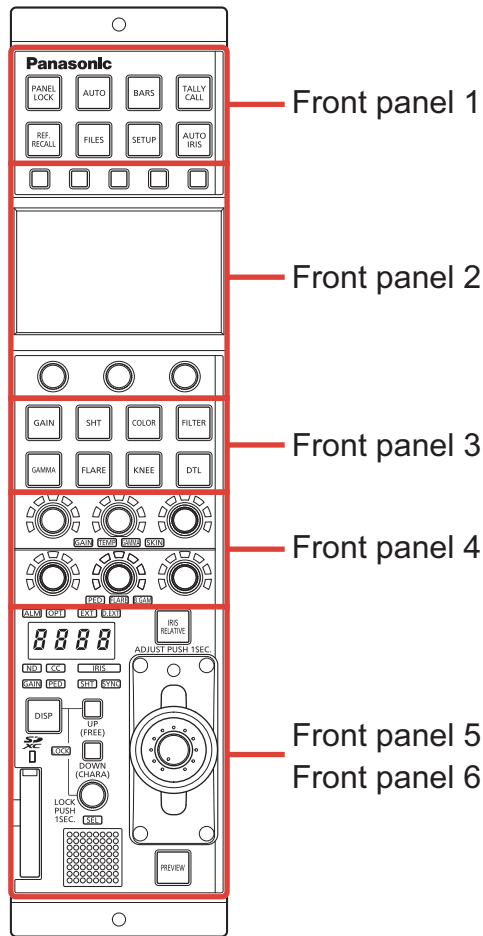


NOTE

- To connect with the AW-HR140/AW-HE130, upgrade the system version of the unit to 2.00-00-0.00 or later.
- When connecting, observe the following points.
 - Serial connection**
 - Use a dedicated cable to connect the [CCU] connector of this unit to the <RS-422> connector of the AW-HR140/AW-HE130.
 - Use a PoE power supply for the power supply.
 - LAN connection**
 - Connect the [LAN] connector on this unit to the <LINK/ACT> connector on the AW-HR140/AW-HE130 using a LAN cable (sold separately).
 - Configure the camera IP address and port number settings of the connection destinations in [CAMERA IP SETTING] as well.
 - This unit can be powered using PoE. Use a switching hub with PoE support.
 - Use a straight cable (category 5e or higher; up to 100 m (328.0 ft) in length) for the LAN cable (STP).
 - For details on switching hubs and PoE injectors that have been verified to support PoE, consult with your dealer.

Compatible Functions List

When the unit is used in conjunction with an AW-HR140 Series or AW-HE130 Series HD Integrated Camera, there will be functions that are limited or disabled for some of the unit's buttons, dials, and other controls. Be sure to refer to the following table.



Number	Part name	✓ : Enabled	Remarks
		×: Disabled	
Front panel 1	[PANEL LOCK] button	✓	
	[AUTO] button	✓	If auto setup has been assigned, this will not operate.
	[BARS] button	✓	Only the ON/OFF for the color bar signal output will function.
	[TALLY/CALL] lamp/button	×	
	[REF. RECALL] button	×	
	[FILES] button	✓	This is always lit.
	[SETUP] button	✓	
	[AUTO IRIS] button	✓	
Front panel 2	Function buttons	✓	
	LCD panel	✓	
	Menu operation dials	✓	

Number	Part name	✓ : Enabled ×: Disabled	Remarks
Front panel 3	[GAIN] button	✓	When this button is pressed, the gain menu appears on the LCD panel. The button is lit during menu display.
	[SHT] button	✓	When this button is pressed, the shutter menu appears on the LCD panel. The button is lit during menu display.
	[COLOR] button	✓	The menus will switch with each press of the button. The button is lit during menu display. [CHROMA] > [MATRIX] > [COLOR CORRECTION] > Menu off (status screen)
	[FILTER] button	✓	When this button is pressed, the filter menu appears on the LCD panel. The button is lit during menu display.
	[GAMMA] button	✓	When this button is pressed, the gamma menu appears on the LCD panel. The button is lit during menu display.
	[FLARE] button	×	
	[KNEE] button	✓	The menus will switch with each press of the button. The button is lit during menu display. [KNEE] > [WHITE CLIP] > Menu off (status screen)
	[DTL] button	✓	The menus will switch with each press of the button. The button is lit during menu display. [DETAIL] > [DNR] > Menu off (status screen)
Front panel 4	[GAIN], [TEMP], [GAMMA], [SKIN] adjustment block	✓	When [GAIN] is lit, [GAIN R] and [GAIN B] are adjusted using the red (R) and blue (B) adjustment dials respectively. When [TEMP] is lit, [COLOR TEMP] is adjusted using the green (G) adjustment dial. When [GAMMA] is lit, the master gamma is adjusted using the green (G) adjustment dial. [SKIN] adjustment is disabled.
	[PED], [FLARE], [B.GAM] adjustment block	✓	When [PED] is lit, [PED R], [M.PED] and [PED B] are adjusted using the red (R), green (G), and blue (B) adjustment dials, respectively. [FLARE] and [B.GAM] adjustment is disabled.

Number	Part name	✓ : Enabled ×: Disabled	Remarks
Front panel 5	[ALM] indicator	✓	
	[OPT] indicator	×	
	[EXT] indicator	×	
	[D.EXT] indicator	✓	
	Adjustment value display	✓	A value is also not displayed when [SHUTTER] is [SYNC]. The display will be bar display. When the shutter speed value is "10000", "9999" is displayed.
	[ND] indicator	✓	
	[CC] indicator	✓	This lights but does not function.
	[IRIS] indicator	✓	The iris value is not displayed.
	[GAIN] indicator	✓	
	[PED] indicator	✓	
	[SHT] indicator	✓	
	[SYNC] indicator	✓	
	[DISP] button	✓	
	[UP (FREE)] button	✓	
	[DOWN (CHARA)] button	✓	
[LOCK] indicator	✓		
[SEL] dial	✓		
Front panel 6	Memory card slot	✓	
	Memory card access indicator	✓	
	Camera number/tally display	✓	
	[IRIS RELATIVE] button	✓	
	Torque adjustment screw	✓	
	IRIS lever	✓	
	Master pedestal dial	✓	
	[PREVIEW] button	×	

ROP Menu (when AW-HR140/AW-HE130 is connected)

ROP menu list

When an AW-HR140/AW-HE130 HD Integrated Camera is connected, the ROP menu will be as follows.

For details on menu operations, refer to the following sections in the Operating Instructions.

➔ "Displaying menus"

➔ "Basic menu operations"

01 SCENE	SCENE1(push)	➔ "SCENE1(push)" (see page 14)
	SCENE2(push)	➔ "SCENE2(push)" (see page 14)
	SCENE3(push)	➔ "SCENE3(push)" (see page 14)
	SCENE4(push)	➔ "SCENE4(push)" (see page 14)
02 SHUTTER SPEED	MODE	➔ "MODE" (see page 15)
	SPEED	➔ "SPEED" (see page 15)
03 FILTER	ND	➔ "ND" (see page 16)
04 PEDESTAL	M.PED	➔ "M.PED" (see page 17)
	PED R	➔ "PED R" (see page 17)
	PED B	➔ "PED B" (see page 17)
05 CHROMA	LEVEL(%)	➔ "LEVEL(%)" (see page 18)
06 GAIN	SUPER GAIN	➔ "SUPER GAIN" (see page 19)
	GAIN	➔ "GAIN" (see page 19)
	AGC MAX GAIN	➔ "AGC MAX GAIN" (see page 19)
07 WHITE BALANCE	MODE	➔ "MODE" (see page 20)
	COLOR TEMP	➔ "COLOR TEMP" (see page 20)
	GAIN R	➔ "GAIN R" (see page 20)
	GAIN B	➔ "GAIN B" (see page 20)
	ATW SPEED	➔ "ATW SPEED" (see page 20)
	ATW WIDTH	➔ "ATW WIDTH" (see page 20)
08 GAMMA	TYPE	➔ "TYPE" (see page 21)
	GAMMA	➔ "GAMMA" (see page 21)
	DRS	➔ "DRS" (see page 21)
09 KNEE	KNEE MODE	➔ "KNEE MODE" (see page 22)
	KNEE POINT	➔ "KNEE POINT" (see page 22)
	KNEE SLOPE	➔ "KNEE SLOPE" (see page 22)
10 WHITE CLIP	WHITE CLIP	➔ "WHITE CLIP" (see page 23)
	WHITE CLP LV(%)	➔ "WHITE CLP LV(%)" (see page 23)
11 DETAIL	M.DTL	➔ "M.DTL" (see page 24)
	V DTL LEVEL	➔ "V DTL LEVEL" (see page 24)
	DTL BAND	➔ "DTL BAND" (see page 24)
	NOISE SUPPRESS	➔ "NOISE SUPPRESS" (see page 24)
	FLSHTN NIS SUP.	➔ "FLSHTN NIS SUP." (see page 24)
	SW	➔ "SW" (see page 24)

12 MATRIX	TYPE	➔ "TYPE" (see page 25)
	R-G	➔ "R-G" (see page 25)
	R-B	➔ "R-B" (see page 25)
	G-R	➔ "G-R" (see page 25)
	G-B	➔ "G-B" (see page 25)
	B-R	➔ "B-R" (see page 25)
	B-G	➔ "B-G" (see page 25)
13 COLOR CORRECTION	TYPE	➔ "TYPE" (see page 27)
	COLOR CORRECT	➔ "COLOR CORRECT" (see page 27)
	SAT	➔ "SAT" (see page 27)
	PHASE	➔ "PHASE" (see page 27)
	SAT B_Mg	➔ "SAT B_Mg" (see page 27)
	PHASE B_Mg	➔ "PHASE B_Mg" (see page 27)
	SAT Mg	➔ "SAT Mg" (see page 27)
	PHASE Mg	➔ "PHASE Mg" (see page 27)
	SAT Mg_R	➔ "SAT Mg_R" (see page 27)
	PHASE Mg_R	➔ "PHASE Mg_R" (see page 27)
	SAT Mg_R_R	➔ "SAT Mg_R_R" (see page 27)
	PHASE Mg_R_R	➔ "PHASE Mg_R_R" (see page 27)
	SAT R	➔ "SAT R" (see page 28)
	PHASE R	➔ "PHASE R" (see page 28)
	SAT R_R_YI	➔ "SAT R_R_YI" (see page 28)
	PHASE R_R_YI	➔ "PHASE R_R_YI" (see page 28)
	SAT R_YI	➔ "SAT R_YI" (see page 28)
	PHASE R_YI	➔ "PHASE R_YI" (see page 28)
	SAT R_YI_YI	➔ "SAT R_YI_YI" (see page 28)
	PHASE R_YI_YI	➔ "PHASE R_YI_YI" (see page 28)
	SAT YI	➔ "SAT YI" (see page 28)
	PHASE YI	➔ "PHASE YI" (see page 28)
	SAT YI_G	➔ "SAT YI_G" (see page 28)
	PHASE YI_G	➔ "PHASE YI_G" (see page 28)
	SAT G	➔ "SAT G" (see page 28)
	PHASE G	➔ "PHASE G" (see page 28)
	SAT G_Cy	➔ "SAT G_Cy" (see page 28)
	PHASE G_Cy	➔ "PHASE G_Cy" (see page 28)
	SAT Cy	➔ "SAT Cy" (see page 28)
	PHASE Cy	➔ "PHASE Cy" (see page 28)
	SAT Cy_B	➔ "SAT Cy_B" (see page 28)
	PHASE Cy_B	➔ "PHASE Cy_B" (see page 28)
SAT B	➔ "SAT B" (see page 28)	
PHASE B	➔ "PHASE B" (see page 28)	
14 DNR	DNR	➔ "DNR" (see page 29)
15 DIGITAL HAZE CLEAR	LEVEL	➔ "LEVEL" (see page 30)
	SW	➔ "SW" (see page 30)

16 HOUSING	FAN	➔ "FAN" (see page 31)
	HEATER	➔ "HEATER" (see page 31)
	DFRSTR	➔ "DFRSTR" (see page 31)
	WIPER	➔ "WIPER" (see page 31)
	WASHER(push)	➔ "WASHER(push)" (see page 31)
17 BRIGHTNESS	PICTURE LEVEL	➔ "PICTURE LEVEL" (see page 32)
	FRAME MIX	➔ "FRAME MIX" (see page 32)
	DAY/NIGHT	➔ "DAY/NIGHT" (see page 32)
18 LENS CONTROL	FOCUS MODE	➔ "FOCUS MODE" (see page 33)
	FOCUS SPEED	➔ "FOCUS SPEED" (see page 33)
	FOCUS	➔ "FOCUS" (see page 33)
	ZOOM WIDE	➔ "ZOOM WIDE" (see page 33)
	ZOOM SPEED	➔ "ZOOM SPEED" (see page 33)
	ZOOM TELE	➔ "ZOOM TELE" (see page 33)
	DIGITAL ZOOM SW	➔ "DIGITAL ZOOM SW" (see page 33)
	DIGITAL ZOOM MAX	➔ "DIGITAL ZOOM MAX" (see page 33)
	DIGITAL ZOOM D.EXT	➔ "DIGITAL ZOOM D.EXT" (see page 33)
19 IRIS RELATIVE	SENSE	Refer to the following section in the Operating Instructions. ➔ "29 IRIS RELATIVE"
	COARSE	
	RELATIVE	
20 SYSTEM CAM	FORMAT	➔ "FORMAT" (see page 35)
	FREQUENCY	➔ "FREQUENCY" (see page 35)
	3G SDI OUT	➔ "3G SDI OUT" (see page 35)
	I.S.	➔ "I.S." (see page 35)
	OSD MIX SDI OUT	➔ "OSD MIX SDI OUT" (see page 35)
	OSD MIX IP	➔ "OSD MIX IP" (see page 35)
	OSD STATUS	➔ "OSD STATUS" (see page 35)
	AUDIO	➔ "AUDIO" (see page 35)
	GENLOCK PHASE	➔ "GENLOCK PHASE" (see page 35)
	HEAD PW(push)	➔ "HEAD PW(push)" (see page 35)
	21 CAMERA MENU CONTROL	MENU ON/OFF
CURSOR/PARAMETER		➔ "CURSOR/PARAMETER" (see page 36)
EXECUTE		➔ "EXECUTE" (see page 36)

22 ROP SETTING	IRIS LEV MOD	Refer to the following section in the Operating Instructions. ➔ "37 ROP SETTING"
	M.PED CONTROL	
	LOCK SELECT	
	AUTO BUTTON	
	G/MPED VOL	
	FREE+LOCK	
	CAMERA SELECT	
	DTL BUTTON	
	SKIN VOL	
	LCD BRIGHT	
	PANEL BRIGHT	
	BUZZER	
	PERIOD	
	CYCLE	
	STD POSITION M.PED	
	STD POSITION VAR	
	STD POSITION ND	
	STD POSITION CC	
	IRIS PRIORITY	
	ROP DATA SAVE	
	ROP DATA LOAD	
	INITIAL with NW	
INITIAL		
UPGRADE		
IRIS CALIBRATION TOP		
IRIS CALIBRATION BOTTOM		
SYSTEM VERSION		
SOFT VERSION		
FPGA VERSION		
23 CONNECT SETTING	CONNECT MODE(push) CAM1	➔ "CONNECT MODE(push) CAM1" (see page 38)
	CONNECT MODE(push) CAM2 to CAM99	➔ "CONNECT MODE(push) CAM2 to CAM99" (see page 38)

24 ROP IP SETTING	ROP IP ADDRESS 1	Refer to the following section in the Operating Instructions. ➔ "39 ROP IP SETTING"
	ROP IP ADDRESS 2	
	ROP IP ADDRESS 3	
	ROP IP ADDRESS 4	
	PORT	
	UPLOAD	
	ROP SUBNET MASK 1	
	ROP SUBNET MASK 2	
	ROP SUBNET MASK 3	
	ROP SUBNET MASK 4	
	UPLOAD	
	ROP DEFAULT GATEWAY 1	
	ROP DEFAULT GATEWAY 2	
	ROP DEFAULT GATEWAY 3	
	ROP DEFAULT GATEWAY 4	
	UPLOAD	
MAC ADDRESS		
25 CAMERA IP SETTING	CAM1 to CAM99 IP ADDRESS	Refer to the following section in the Operating Instructions. ➔ "40 CAMERA IP SETTING"
	CAM1 to CAM99 PORT	
	CAM1 to CAM99 UPLOAD	
26 SWITCHER LINK	SWITCHER IP ADDRESS	Refer to the following section in the "Linking the Unit to the AV- HS6000". ➔ "47 SWITCHER LINK"
	SWITCHER UDP PORT	
	INFO UPLOAD	
	SWITCHER LINK	
	TALLY RECEIVE	
	PREVIEW	
	TALLY ACTION MATERIAL	
	TALLY ACTION CAM No.	
27 AW CONTROLLER LINK	RECEIVE PORT	Refer to the following section in the Operating Instructions. ➔ "47 AW CONTROLLER LINK"
	INFO UPLOAD	
	AW CONT LINK	

01 SCENE

SCENE
1 / 1

SCENE1
(push)

OFF

SCENE2
(push)

OFF

SCENE3
(push)

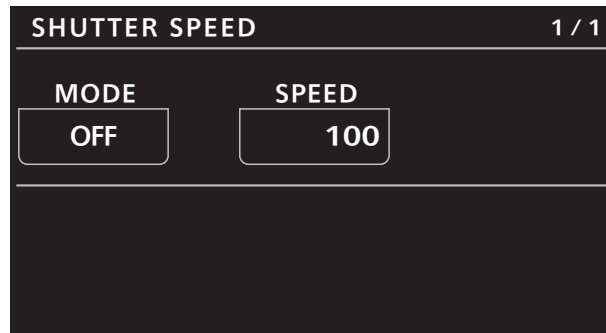
OFF

SCENE4
(push)

OFF

Item	Setting details
SCENE1(push)	Switches the scene file. <ul style="list-style-type: none"> • Switches to the scene set to ON.
SCENE2(push)	
SCENE3(push)	
SCENE4(push)	

02 SHUTTER SPEED



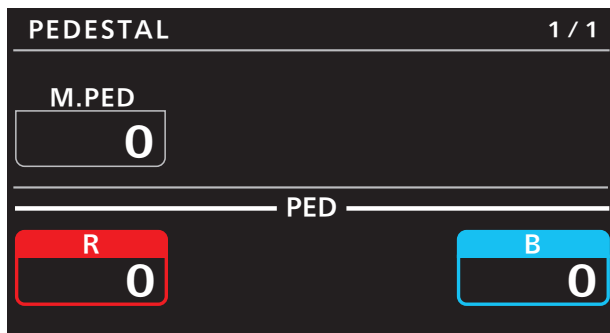
Item	Setting details
MODE	Selects the operation mode of the shutter.
SPEED	Sets the shutter speed. The setting can be changed when [MODE] is [STEP]. <ul style="list-style-type: none"> • The shutter speed of [SYNC] is not displayed.

03 FILTER



Item	Setting details
ND	Sets the ND filter position.

04 PEDESTAL



Item	Setting details
M.PED	Adjusts the black level of the master pedestal.
PED R	Sets the correction level of red to the master pedestal.
PED B	Sets the correction level of blue to the master pedestal.

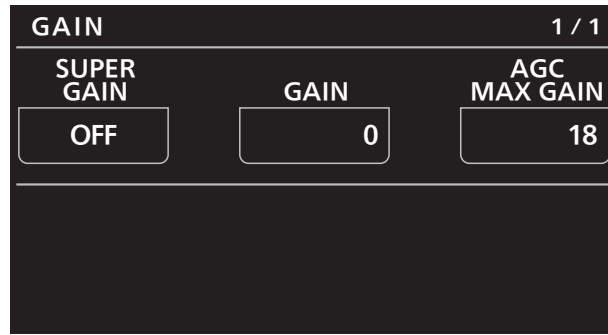
05 CHROMA



Item	Setting details
LEVEL(%)	Sets the color intensity of images.

06 GAIN

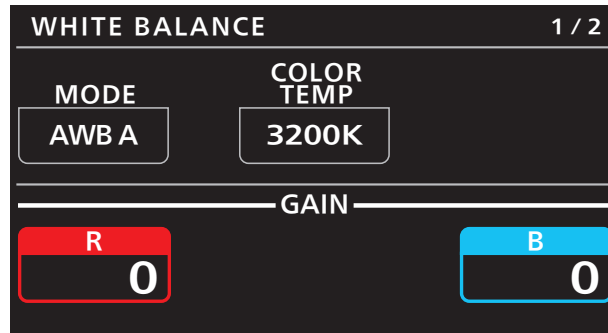
- [SUPER GAIN] is a function for only the AW-HR140.



Item	Setting details
SUPER GAIN	Enables/disables the super gain (increased sensitivity) function.
GAIN	Adjusts the gain of images.
AGC MAX GAIN	When [AUTO] is selected as the [GAIN] setting, the maximum gain-up amount can be set.

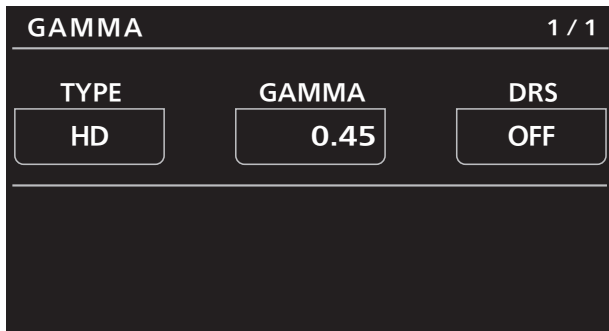
07 WHITE BALANCE

- [ATW SPEED] and [ATW WIDTH] are functions for only the AW-HR140.



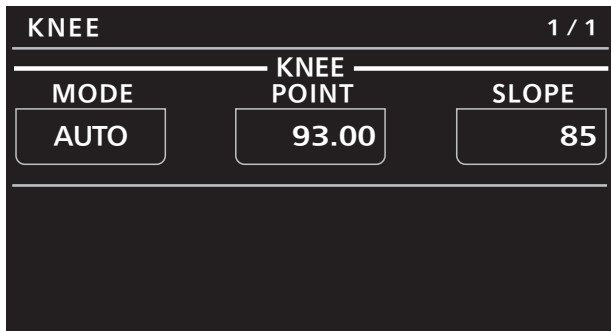
Item	Setting details
MODE	Sets the white balance mode.
COLOR TEMP	Sets color temperature settings.
GAIN R	Adjusts the R gain.
GAIN B	Adjusts the B gain.
ATW SPEED	Sets the control speed of the ATW function.
ATW WIDTH	Sets the color temperature range to track with the ATW function.

08 GAMMA



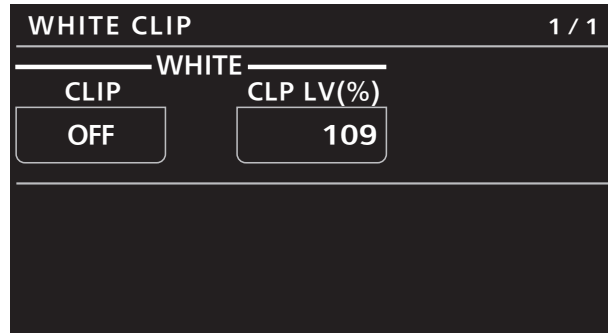
Item	Setting details
TYPE	Selects the type of gamma curve.
GAMMA	Adjusts the gamma correction level.
DRS	Sets the DRS function which performs correction when video with high light/dark contrast is displayed.

09 KNEE



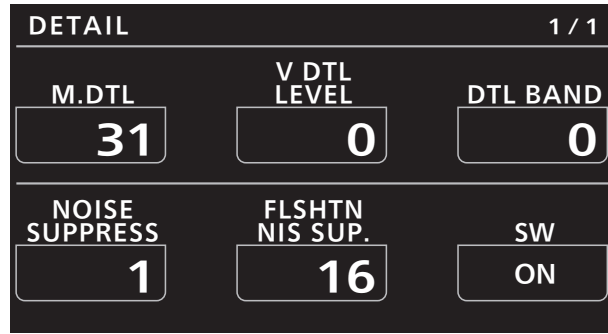
Item	Setting details
KNEE MODE	Sets the operating mode for gradation compression (knee).
KNEE POINT	Sets the compression level (knee point) position for high-brightness video signals.
KNEE SLOPE	Sets the knee slope.

10 WHITE CLIP



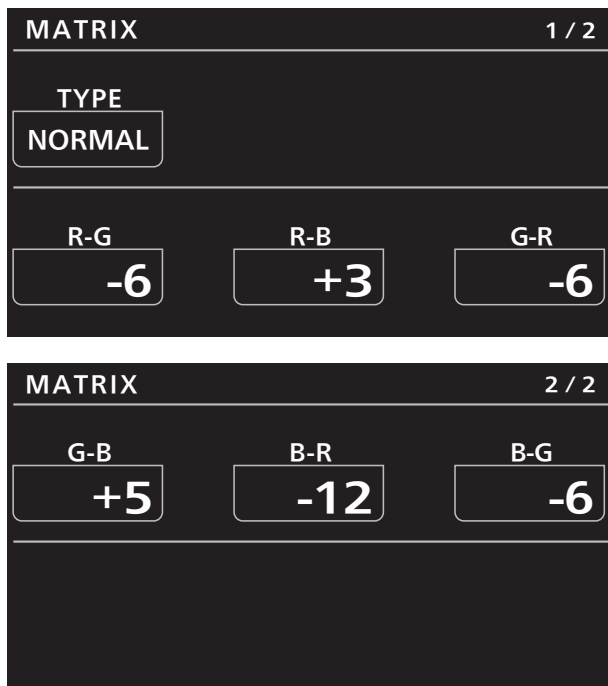
Item	Setting details
WHITE CLIP	Enables/disables the white clip function.
WHITE CLP LV(%)	Sets the white clip level.

11 DETAIL



Item	Setting details
M.DTL	Adjusts the level of master detail.
V DTL LEVEL	Adjusts the level of vertical detail.
DTL BAND	Sets the boost frequency for detail.
NOISE SUPPRESS	Reduces the screen noise which is generated by the detail effect.
FLSHTN NIS SUP.	This function is selected to make the skin of the subjects to be shot appear to be smoother and more attractive. The higher the setting value, the greater the effect.
SW	Enables/disables the detail function.

12 MATRIX



Item	Setting details
TYPE	Selects the type of color matrix.
R-G	Adjusts the linear matrix between red and green.
R-B	Adjusts the linear matrix between red and blue.
G-R	Adjusts the linear matrix between green and red.
G-B	Adjusts the linear matrix between green and blue.
B-R	Adjusts the linear matrix between blue and red.
B-G	Adjusts the linear matrix between blue and green.

13 COLOR CORRECTION

COLOR CORRECTION		1 / 9
TYPE		
NORMAL		
COLOR CORRECT	SAT	PHASE
B_Mg	-14	-5

COLOR CORRECTION		2 / 9
SAT B_Mg	PHASE B_Mg	
-14	-5	
SAT Mg	PHASE Mg	
-9	-9	

COLOR CORRECTION		3 / 9
SAT Mg_R	PHASE Mg_R	
-29	0	
SAT Mg_R_R	PHASE Mg_R_R	
-34	0	

COLOR CORRECTION		4 / 9
SAT R	PHASE R	
-18	-4	
SAT R_R_YI	PHASE R_R_YI	
+24	-16	

COLOR CORRECTION		5 / 9
SAT R_YI	PHASE R_YI	
+17	-13	
SAT R_YI_YI	PHASE R_YI_YI	
+9	-8	

COLOR CORRECTION 6 / 9

SAT_{YI} PHASE_{YI}

+19 **-2**

SAT_{YI_G} PHASE_{YI_G}

+16 **-2**

COLOR CORRECTION 7 / 9

SAT_G PHASE_G

-2 **-4**

SAT_{G_Cy} PHASE_{G_Cy}

0 **-9**

COLOR CORRECTION 8 / 9

SAT_{Cy} PHASE_{Cy}

-9 **+5**

SAT_{Cy_B} PHASE_{Cy_B}

-12 **+5**

COLOR CORRECTION 9 / 9

SAT_B PHASE_B

-19 **0**

Item	Setting details
TYPE	Selects the type of color matrix.
COLOR CORRECT	Selects the color component in 12-axis matrix memory to adjust.
SAT	Adjusts the saturation of the color component selected in [COLOR CORRECT].
PHASE	Adjusts the hue of the color component selected in [COLOR CORRECT].
SAT B_Mg	Adjusts the color saturation between blue and magenta.
PHASE B_Mg	Adjusts the hue between blue and magenta.
SAT Mg	Adjusts magenta color saturation.
PHASE Mg	Adjusts magenta hue.
SAT Mg_R	Adjusts the color saturation between magenta and red.
PHASE Mg_R	Adjusts the hue between magenta and red.
SAT Mg_R_R	Adjusts the color saturation with a 1:3 magenta to red ratio.
PHASE Mg_R_R	Adjusts the hue (color phase) with a 1:3 magenta to red ratio.

Item	Setting details
SAT R	Adjusts red color saturation.
PHASE R	Adjusts red hue.
SAT R_R_YI	Adjusts the color saturation with a 3:1 red to yellow ratio.
PHASE R_R_YI	Adjusts the hue (color phase) with a 3:1 red to yellow ratio.
SAT R_YI	Adjusts the color saturation between red and yellow.
PHASE R_YI	Adjusts the hue between red and yellow.
SAT R_YI_YI	Adjusts the color saturation with a 1:3 red to yellow ratio.
PHASE R_YI_YI	Adjusts the hue (color phase) with a 1:3 red to yellow ratio.
SAT YI	Adjusts yellow color saturation.
PHASE YI	Adjusts yellow hue.
SAT YI_G	Adjusts the color saturation between yellow and green.
PHASE YI_G	Adjusts the hue between yellow and green.
SAT G	Adjusts green color saturation.
PHASE G	Adjusts green hue.
SAT G_Cy	Adjusts the color saturation between green and cyan.
PHASE G_Cy	Adjusts the hue between green and cyan.
SAT Cy	Adjusts cyan color saturation.
PHASE Cy	Adjusts cyan hue.
SAT Cy_B	Adjusts the color saturation between cyan and blue.
PHASE Cy_B	Adjusts the hue between cyan and blue.
SAT B	Adjusts blue color saturation.
PHASE B	Adjusts blue hue.

14 DNR



Item	Setting details
DNR	Sets the level for the noise reduction.

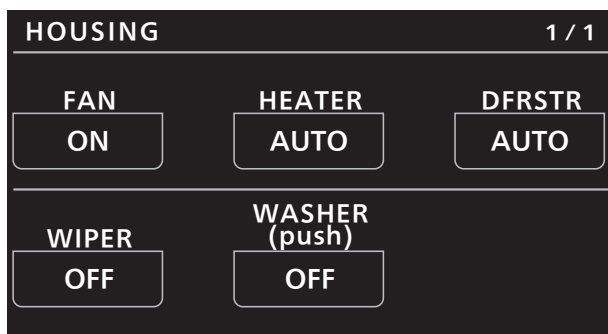
15 DIGITAL HAZE CLEAR



Item	Setting details
LEVEL	Sets the level of the haze elimination. The larger the value, the stronger the haze elimination effect.
SW	Enables/disables the haze elimination function.

16 HOUSING

- Operation is possible only for the AW-HR140.



Item	Setting details
FAN	Sets the cooling fan operation.
HEATER	Sets the heater operation.
DFRSTR	Sets the defroster device operation.
WIPER	Sets the wiper operation.
WASHER(push)	Clean the lens by spraying washer fluid on to it. If you select [ON], the camera head moves to the position of the washer nozzle, washer fluid is sprayed for a specific duration, and the camera head returns to the original position.

17 BRIGHTNESS



Item	Setting details
PICTURE LEVEL	Sets the target picture level for auto exposure correction.
FRAME MIX	Selects for frame addition (gain-up using sensor storage) amount.
DAY/NIGHT	Switches between standard shooting (day mode) and night-vision shooting (night mode: shooting with infrared light).

18 LENS CONTROL

LENS CONTROL
1 / 2

**FOCUS
MODE**

MANUAL

**FOCUS
SPEED**

25

FOCUS

(turn)

WIDE

(push)

**ZOOM
SPEED**

25

TELE

(push)

LENS CONTROL
2 / 2

DIGITAL ZOOM

SW

OFF

MAX

x10

D.EXT

OFF

Item	Setting details
FOCUS MODE	Selects auto or manual mode for the focus adjustment function.
FOCUS SPEED	Adjusts the focus operation speed.
FOCUS	Adjusts the lens focus manually.
ZOOM WIDE	Adjusts the lens zoom to wide angle (Wide).
ZOOM SPEED	Adjusts the zoom operation speed.
ZOOM TELE	Adjusts the lens zoom to telephoto (Tele).
DIGITAL ZOOM SW	Enables/disables the digital zoom function.
DIGITAL ZOOM MAX	Sets the maximum digital zoom magnification.
DIGITAL ZOOM D.EXT	Enables/disables the digital extender function.

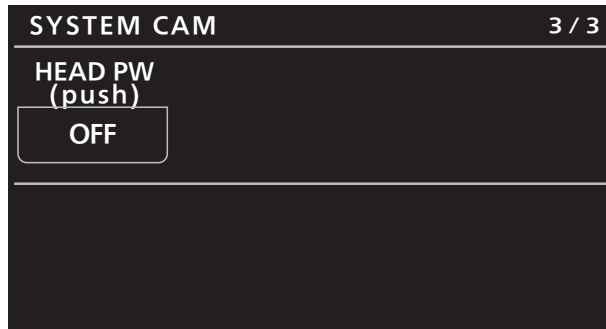
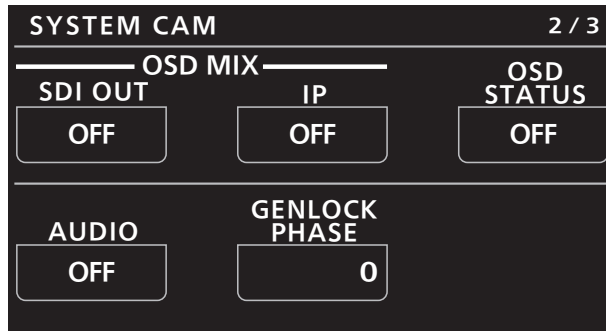
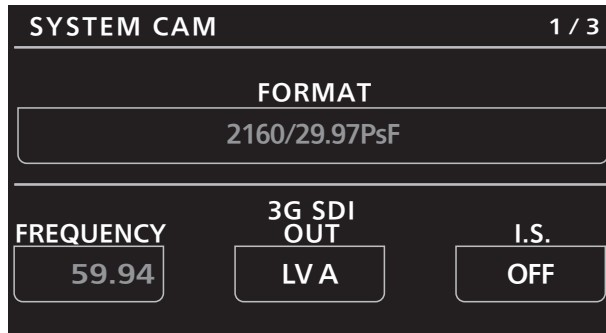
19 IRIS RELATIVE

For details on operations and settings, refer to the following sections in the Operating Instructions.

➡ "29 IRIS RELATIVE"

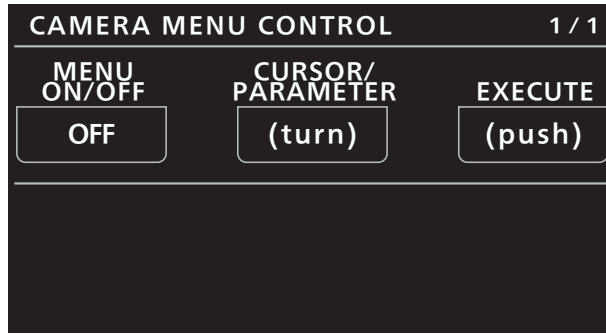
20 SYSTEM CAM

- [FREQUENCY], [3G SDI OUT], and [I.S.] are functions for only the AW-HR140.



Item	Setting details
FORMAT	Displays the system format.
FREQUENCY	Displays the frame frequency.
3G SDI OUT	When the video format is 1080/59.94p or 1080/50p, select the format for outputting 3G-SDI signals.
I.S.	Select the image stabilization mode.
OSD MIX SDI OUT	Sets whether or not to display the camera menu and status on the video output from the SDI OUT connectors.
OSD MIX IP	Sets whether or not to display the camera menu and status on the video output from the LAN connector for IP control.
OSD STATUS	Enables/disables the status display during AWB and ABB.
AUDIO	Enables/disables audio input.
GENLOCK PHASE	This is used to adjust the horizontal phase during genlock.
HEAD PW(push)	Turns ON/OFF (STANDBY) the camera power.

21 CAMERA MENU CONTROL



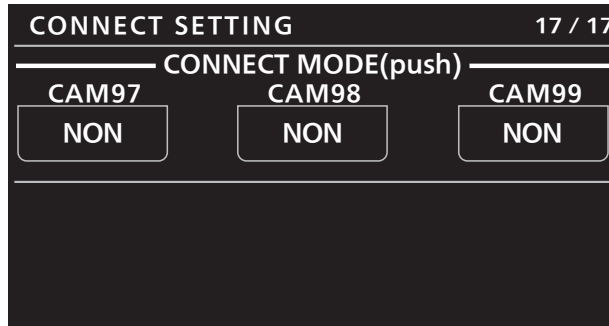
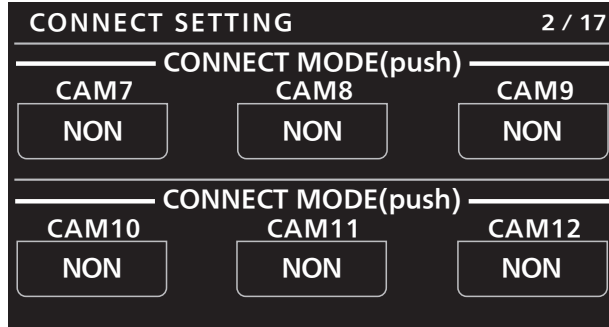
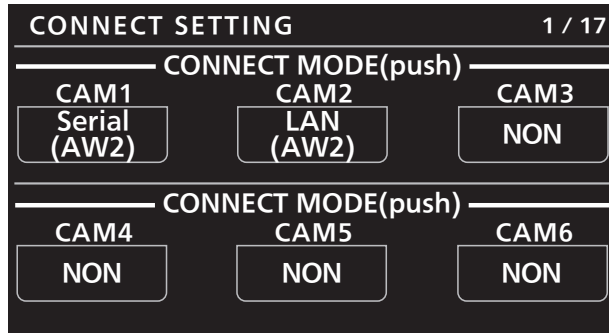
Item	Setting details
MENU ON/OFF	Turns the menu on or off.
CURSOR/PARAMETER	Moves the menu cursor or changes setting values.
EXECUTE	Executes the selected process.

22 ROP SETTING

For details on operations and settings, refer to the following sections in the Operating Instructions.

➡ "37 ROP SETTING"

23 CONNECT SETTING



Item	Setting details
CONNECT MODE(push) CAM1	<p>Sets the connection method for camera 1 . Changes to settings are applied by pressing the [MENU] dial. Select [LAN(AW2)] and [Serial(AW2)] when connecting with the AW-HR140 series and AW-HE130 series.</p> <ul style="list-style-type: none"> • [Serial(AW2)] cannot be set for multiple cameras.
CONNECT MODE(push) CAM2 to CAM99	<p>Sets the connection method for cameras 2 to 99. Changes to settings are applied by pressing the [MENU] dial. Select [LAN(AW2)] and [Serial(AW2)] when connecting with the AW-HR140 series and AW-HE130 series.</p> <ul style="list-style-type: none"> • [Serial(AW2)] cannot be set for multiple cameras.

24 ROP IP SETTING

For details on operations and settings, refer to the following sections in the Operating Instructions.

➔ "39 ROP IP SETTING"

25 CAMERA IP SETTING

For details on operations and settings, refer to the following sections in the Operating Instructions.

➔ "40 CAMERA IP SETTING"

26 SWITCHER LINK

For details on operations and settings, refer to the following section in the "Linking the Unit to the AV-HS6000".

➔ "47 SWITCHER LINK"

27 AW CONTROLLER LINK

For details on operations and settings, refer to the following section in the Operating Instructions.

➔ "47 AW CONTROLLER LINK"
